

## THE BLOCKS THAT MADE BOOS FAMOUS

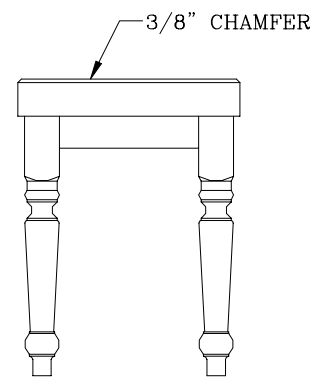
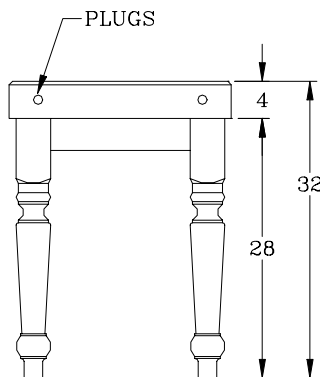
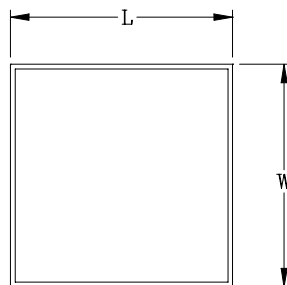


### Saratoga Farm Block (SARB)

#### **FEATURES:**

- \* Solid Hard Rock Maple
- \* 4" Thick End Grain Work Surface
- \* Finished with Penetrating Oil
- \* Stand 32" O.A.H.
- \* Optional White Lacquer Base Color (**Must Specify**)
- \* Options: Casters (CAS04)
- \* Shipped knocked-down, easy - to - assemble
- \* UPSable

Model	Size	Wt
SARB1	24"x24"	105
SARB2	30"X24"	120



#### **MATERIAL:**

Top: End Grain Hard Rock Maple  
 Legs: Hard Rock Maple

### **John Boos & Co**

315 South First Street - Effingham, IL 62401  
 Phone: 217-347-7701 - Fax: 217-347-7705  
 Email: sales@johnboos.com - Web-site: www.johnboos.com