



**John  
BOOS**  
Since 1887

ITEM #: \_\_\_\_\_ QTY: \_\_\_\_\_  
 MODEL #: \_\_\_\_\_  
 PROJECT NAME: \_\_\_\_\_

3601 S. Banker St. Effingham, IL 62401 • P.O. BOX 609 • Ph: (888) 431-2667 • Fax: (800) 433-2667

## **"160-2" STAINLESS STEEL ENCLOSED WORK TABLES**

### **SLIDING DOOR STYLE**



#### **FEATURES:**

- 16 GAUGE STAINLESS STEEL FLAT TOP
- SLIDING DOOR STYLE
- TYPE 300 STAINLESS STEEL WITH # 4 POLISH, SATIN FINISH
- TOP IS SOUND DEADENED
- REINFORCED WITH 1"x2" CHANNEL RUNNING ENTIRE LENGTH OF TABLE
- 1-1/2" STALLION EDGE ON FRONT AND REAR WITH SIDE EDGES 90 DEGREE BEND DOWN FOR TABLE LINE-UP
- STAINLESS STEEL BASE AND UNDERSHELF
- UNDERSHELF IS SECURED IN A FIXED POSITION, 14-7/8" ABOVE FLOOR
- SHIPPED STANDARD WELDED SET-UP
- NSF AND DEPT. OF AGRICULTURE APPROVED



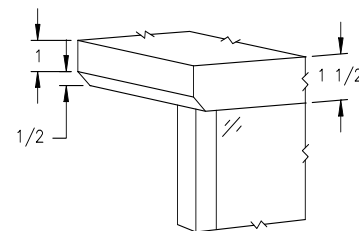
STALLION EDGE

#### **CONSTRUCTION:**

- TOP: STAINLESS STEEL TOPS ARE TIG WELDED, EXPOSED WELDS ARE POLISHED TO MATCH ADJACENT SURFACE.

#### **MATERIAL:**

- TOP: 16 GAUGE STAINLESS STEEL TYPE 300 STAINLESS STEEL WITH #4 POLISH, SATIN FINISH
- SHELF: 18 GAUGE TYPE 300 STAINLESS STEEL, #4 POLISH WITH SATIN FINISH
- LEGS: 1-1/2" SQUARE O.D., 16 GAUGE TUBULAR STAINLESS STEEL
- PANELS: 22 GAUGE TYPE 300 STAINLESS STEEL, #4 POLISH WITH SATIN FINISH
- FEET: 1" ADJUSTABLE STAINLESS STEEL BULLET FEET



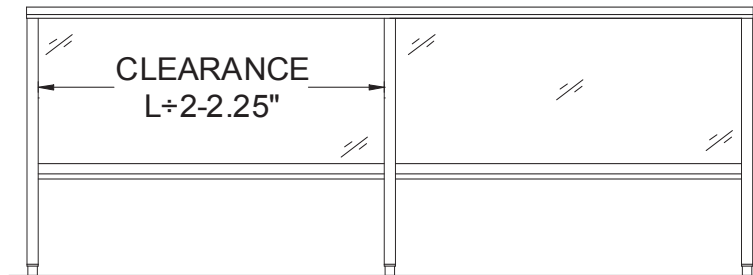
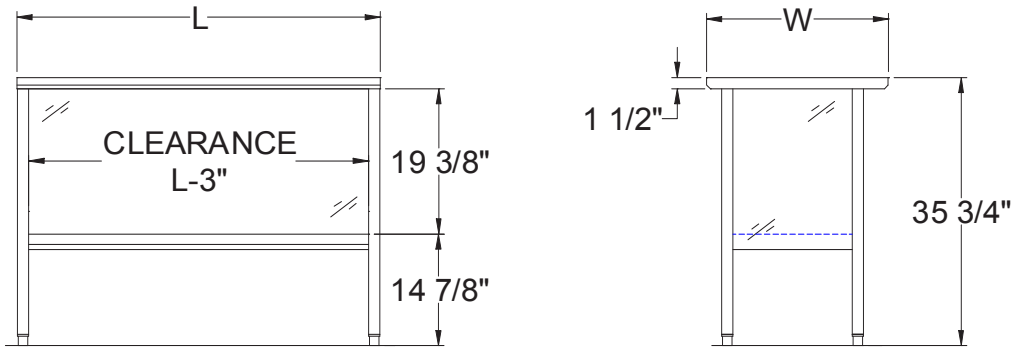
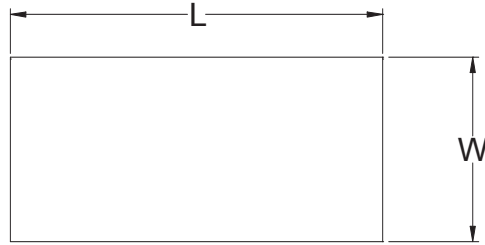
#### **16 GAUGE TOP**

24" WIDE	QTY	30" WIDE	QTY
160-11		160-16	
160-12		160-17	
160-13		160-18	
160-13A		160-18A	
160-14		160-19	
160-14A		160-19A	
160-15		160-20	

#### **OPTIONAL ACCESSORIES**

DESCRIPTION	MODEL #	QTY
CASTERS		
OVERSHELVES		
POT RACK		
SINKS		
INTERMEDIATE SHELVES		
S/S BUN PAN RACK		

## DETAILED SPECIFICATIONS



- UNITS 7 FT. AND LARGER ARE FURNISHED WITH SIX LEGS.
- FINISHED SIZE OF UNDERSHELF.  
SHELF LENGTH = LENGTH MINUS 4.875"  
SHELF WIDTH = WIDTH MINUS 4.25"

### 16 GAUGE TOP

LENGTH	24" WIDE	WT. (LBS)	30" WIDE	WT. (LBS)
48"	160-11	116	160-16	130
60"	160-12	135	160-17	153
72"	160-13	168	160-18	183
84"	160-13A	268	160-18A	285
96"	160-14	207	160-19	230
108"	160-14A	327	160-19A	350
120"	160-15	244	160-20	280

SOME UNITS SHIP UNASSEMBLED FOR REDUCED SHIPPING COST. ALL DIMENSIONS ARE TYPICAL. TOLERANCE +/- .500"  
John Boos & Co. is constantly engaged in a program of improving products and therefore reserves the right to change specifications without prior notice.



3601 S. Banker St. • Effingham, IL 62401 • PO BOX 609 • quotes@johnboos.com



[www.johnboos.com](http://www.johnboos.com)