



"BAK" Maple Top Tables with RISERS

w/ 1 3/4" thick Hard Rock Maple Top
w/ Stainless Steel Base and Undershef



1 3/4" MAPLE TOP w/ UNDERSHELF and BUN PAN RACK			
30" WIDE	Qty	36" WIDE	Qty
BAK01		BAK04	
BAK02		BAK05	
BAK03		-	

**** Drawers available
ONLY on BAK02,BAK03 &
BAK05**

FEATURES:

- * 1 3/4" Thick Hard Rock Maple Top, style "SB" with 4" Covered Riser on Back and Both Ends
- * Maple top with Oil Finish with optional Varnique Finish
- * Stainless Steel Base, Undershef and Bun Pan Rack type 300 stainless steel, with # 4 polish, satin finish
- * Stainless steel Bun Pan Rack hold's 8-18"x26" pans
- * Undershef is secured in a fixed position, 12" above floor
- * Adjustable bullet feet
- * Shipped knocked-down, easy - to - assemble
- * Optional drawers, casters, pot racks, etc. available
- * All models are approved by the National Sanitation Foundation

MATERIAL:

- Top: Laminated Hard Rock Maple
- Shelf: 18 gauge type 300 stainless steel, # 4 polish, satin finish
- Rack: 18 gauge type 300 stainless steel, # 4 polish, satin finish
- Legs: 1 5/8" Round O.D. 16 gauge type 300 tubular stainless steel # 4 polish, satin finish
- Gussets: Stainless Steel
- Casters: 5" casters non marking

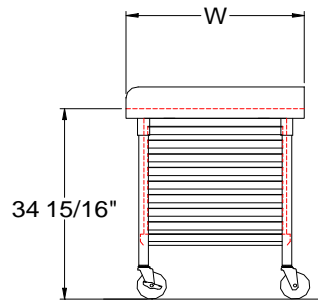
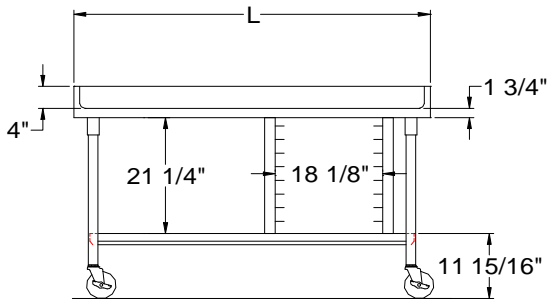
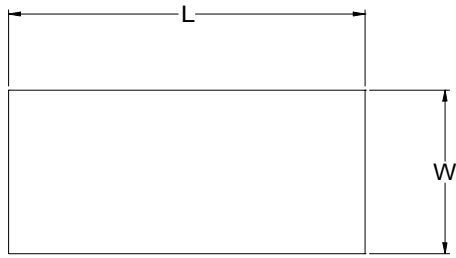
OPTIONAL ACCESSORIES

	MODEL #	Qty
STAINLESS STEEL FEET		
DRAWER		
DRAWER LOCK		
OVERSHELVES		
POT RACK		

John Boos & Co

3601 S. Banker Street - Effingham, IL 62401
Phone: 217-347-7701 - Fax: 217-347-7705
Email: sales@johnboos.com - Web-site: www. johnboos.com

DETAILED SPECIFICATIONS



All units ship unassembled for reduced shipping cost.
 Units 7 ft. and larger are furnished with six legs.
 All dimensions are typical.
 Tolerance +/- .500".

Finished size of undershelf.
 Shelf length = length minus 4.875"
 Shelf width = width minus 4.25"

1 3/4" MAPLE TOP & UNDERSHELF

L	30"WIDE	WT.	36"WIDE	WT.
48	BAK01	185	BAK04	184
60	BAK02	212	BAK05	222
72	BAK03	245	-	207

John Boos & Co

3601 S. Banker Street - Effingham, IL 62401 Phone: 217-347-7701 - Fax: 217-347-7705
 Email: sales@johnboos.com - Web-site: www.johnboos.com



July 2013

John Boos is constantly engaged in a program of improving products and therefore reserves the right to change specification without prior notice