



**John
BOOS**
Since 1887

ITEM #: _____ QTY: _____
 MODEL #: _____
 PROJECT NAME: _____

3601 S. Banker St. Effingham, IL 62401 • P.O. BOX 609 • Ph: (888) 431-2667 • Fax: (800) 433-2667

"ET1S" STAINLESS STEEL ENCLOSED WORK TABLES

SLIDING DOOR STYLE WITH 1-3/4" THICK HARD ROCK MAPLE TOP WITH 4" COVED REAR RISER



FEATURES:

- 1-3/4" THICK HARD ROCK MAPLE TOP "SC" STYLE WITH 4" COVED REAR RISER
- MAPLE TOP IS FINISHED WITH PENETRATING OIL WITH OPTIONAL NATURAL CLEAR VARNIQUE FINISH
- STAINLESS STEEL TOP, CABINET, & UNDERSHELF, TYPE 300 STAINLESS STEEL WITH #4 POLISH, SATIN FINISH
- UNDERSHELF IS SECURED IN A FIXED POSITION, 14-7/8" ABOVE FLOOR
- SHIPPED STANDARD WELDED SET-UP
- OPTIONAL DRAWERS, CASTERS, POT RACKS, ETC. AVAILABLE
- NSF AND DEPT. OF AGRICULTURE APPROVED

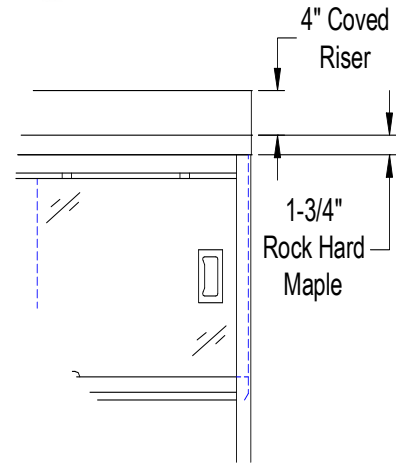


CONSTRUCTION:

- TOP: STAINLESS STEEL TOPS ARE TIG WELDED, EXPOSED WELDS ARE POLISHED TO MATCH ADJACENT SURFACE.

MATERIAL:

- TOP: 1-3/4" THICK HARD ROCK MAPLE WITH 4" COVED REAR RISER. FINISHED WITH PENETRATING OIL
- DOORS: 18 GAUGE TYPE 300 STAINLESS STEEL, #4 POLISH WITH SATIN FINISH
- SHELF: 18 GAUGE TYPE 300 STAINLESS STEEL, #4 POLISH WITH SATIN FINISH
- LEGS: 1-1/2" SQUARE O.D., 16 GAUGE TYPE 300 TUBULAR STAINLESS STEEL
- PANELS: 22 GAUGE TYPE 300 STAINLESS STEEL, #4 POLISH WITH SATIN FINISH
- FEET: 1" ADJUSTABLE STAINLESS STEEL FEET



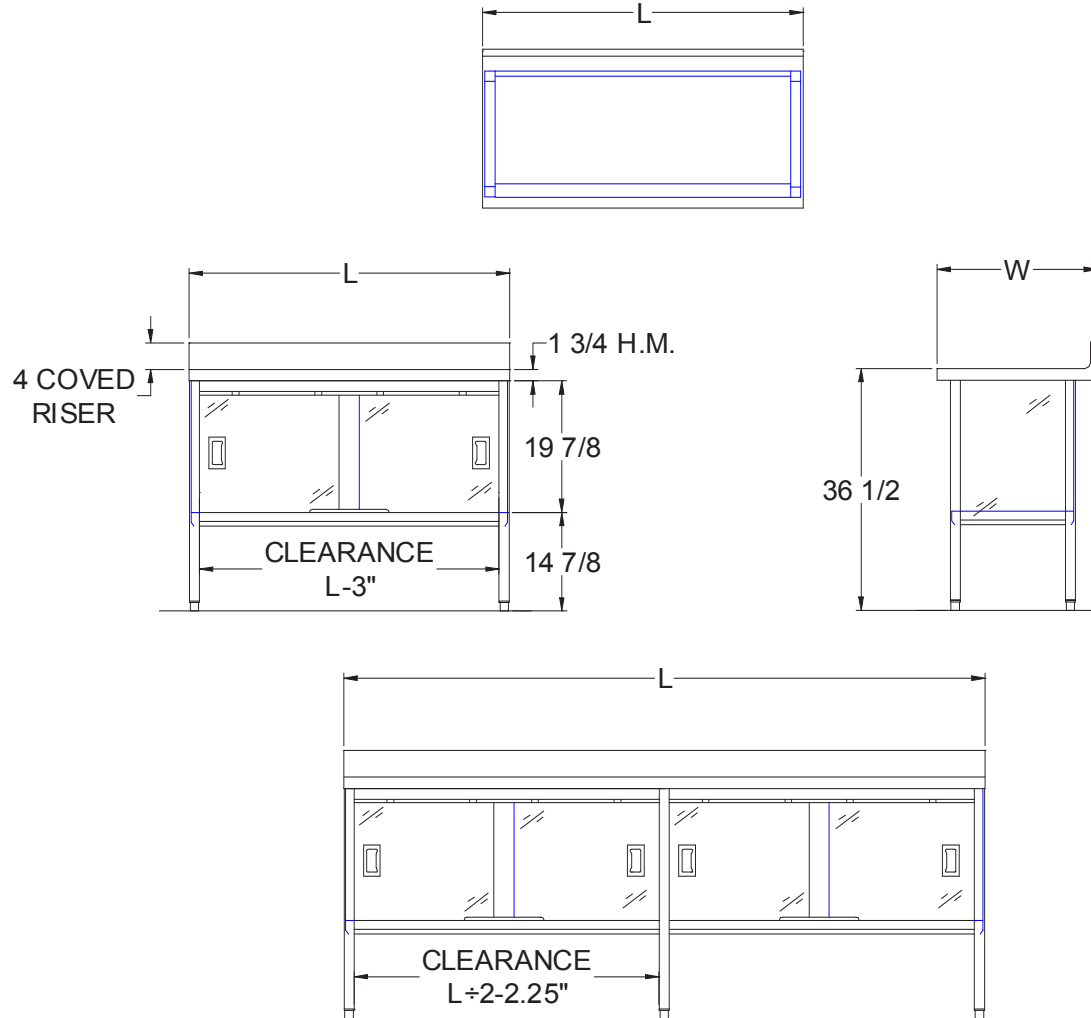
1-3/4" MAPLE TOP

| 24" WIDE | QTY | 30" WIDE | QTY |
|----------|-----|----------|-----|
| ET1S01 | | ET1S06 | |
| ET1S02 | | ET1S07 | |
| ET1S03 | | ET1S08 | |
| ET1S03A | | ET1S08A | |
| ET1S04 | | ET1S09 | |
| ET1S04A | | ET1S09A | |
| ET1S05 | | ET1S10 | |

OPTIONAL ACCESSORIES

| DESCRIPTION | MODEL # | QTY |
|----------------------|---------|-----|
| CASTERS | | |
| OVERSHELVES | | |
| POT RACKS | | |
| INTERMEDIATE SHELVES | | |
| S/S BUN PAN RACK | | |

DETAILED SPECIFICATIONS



- UNITS 7 FT. AND LARGER ARE FURNISHED WITH SIX LEGS.
- FINISHED SIZE OF UNDERSHELF.
SHELF LENGTH = LENGTH MINUS 4.875"
SHELF WIDTH = WIDTH MINUS 4.25"

1-3/4" MAPLE TOP

| LENGTH | 24" WIDE | WT. (LBS) | 30" WIDE | WT. (LBS) |
|--------|----------|-----------|----------|-----------|
| 48" | ET1S01 | 145 | ET1S06 | 167 |
| 60" | ET1S02 | 180 | ET1S07 | 210 |
| 72" | ET1S03 | 210 | ET1S08 | 249 |
| 84" | ET1S03A | 248 | ET1S08A | 281 |
| 96" | ET1S04 | 285 | ET1S09 | 313 |
| 108" | ET1S04A | 315 | ET1S09A | 369 |
| 120" | ET1S05 | 345 | ET1S10 | 425 |

SOME UNITS SHIP UNASSEMBLED FOR REDUCED SHIPPING COST. ALL DIMENSIONS ARE TYPICAL. TOLERANCE +/- .500"
John Boos & Co. is constantly engaged in a program of improving products and therefore reserves the right to change specifications without prior notice.

