



**John
BOOS**
Since 1887

ITEM #: _____ QTY: _____
 MODEL #: _____
 PROJECT NAME: _____

3601 S. Banker St. Effingham, IL 62401 • P.O. BOX 609 • Ph: (888) 431-2667 • Fax: (800) 433-2667

"41PB" PRO-BOWL COMPARTMENT SINKS 14GA



1 COMPARTMENT - STAINLESS STEEL BASE

FEATURES:

- STANDARD 14GA TYPE 300 STAINLESS STEEL WITH #4 POLISH, SATIN FINISH
- 12" & 14" DEEP BOWLS
- ALL CORNERS, BOTH VERTICAL AND HORIZONTAL, COVED AT 5/8" RADIUS
- BOTTOMS OF BOWLS FORMED FOR DRAINAGE TO 3-1/2" DIAMETER DIE STAMPED OPENING
- FULL LENGTH **10" HIGH BOXED BACKSPASH**, WITH 2" RETURN TO WALL AT 45 DEGREE AND 3/4" TURNED DOWN REAR LIP
- 8" ON-CENTER, 1-1/8" FAUCET HOLES IN BACKSPASH
- SOLID STAINLESS STEEL FRONT PANEL, TYPE 300 STAINLESS STEEL WITH #4 POLISH, SATIN FINISH
- ALL OUTSIDE CORNERS OF ASSEMBLY ARE BULLNOSED TO PROVIDE SAFE, CLEAN, AND POLISHED EDGE



CONSTRUCTION:

- TOP: STAINLESS STEEL SINKS ARE TIG WELDED, EXPOSED WELDS ARE POLISHED TO MATCH ADJACENT SURFACE
- BASE: STAINLESS STEEL BASES, STANDARD K.D.

MATERIAL:

- BOWLS & TOP: 14GA TYPE 300 STAINLESS STEEL WITH #4 POLISH, SATIN FINISH
- LEGS: 1-5/8" ROUND O.D. STAINLESS STEEL
- BRACING: 1-1/4" ROUND O.D. STAINLESS STEEL
- GUSSETS: STAINLESS STEEL
- FEET: 1" ADJUSTABLE STAINLESS STEEL BULLET FEET

OPTIONAL ACCESSORIES

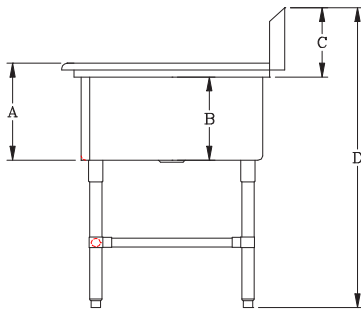
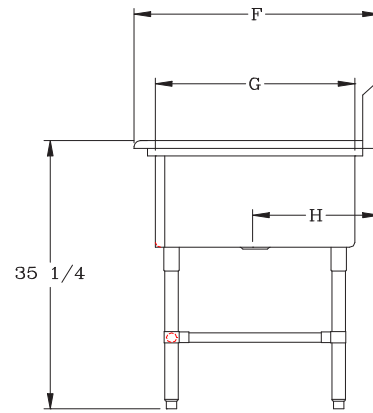
DESCRIPTION	QTY
END SPLASHES, R, L, OR BOTH	
FAUCETS	
ADD-A-FAUCETS	
PRE-RINSE UNITS	
LEVER WASTE	
OVERSHELVES	
POT RACK	

14GA - "41PB" PRO-BOWL SERIES SINK

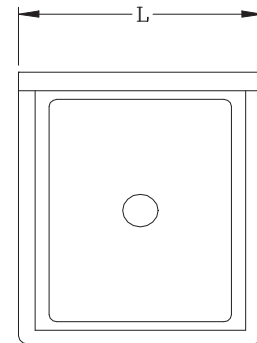
12" DEEP	QTY	14" DEEP	QTY
41PB1618		41PB16184	
41PB18		41PB184	
41PB1824		41PB18244	
41PB24		41PB244	
41PB3024		41PB30244	

DETAILED SPECIFICATIONS

BOWL SIZE	F	G	H
16" X 18"	23-1/2"	18"	11-15/16"
16" X 20"	25-1/2"	20"	12-15/16"
18" X 18"	23-1/2"	18"	11-15/16"
18" X 24"	29-1/2"	24"	14-15/16"
24" X 24"	29-1/2"	24"	14-15/16"
30" X 24"	29-1/2"	24"	14-15/16"



	12" DEEP	14" DEEP
A	14"	16-1/4"
B	12"	14"
C	10"	10"
D	43"	43"



(12" DEEP) 14GA - "41PB" PRO-BOWL SERIES SINK

MODEL	BOWL SIZE	DIMENSIONS	DRAIN BOARDS	WT. (LBS)
41PB1618	16" X 18" X 12"	21-1/8" X 23-1/2"	-	48
41PB18	18" X 18" X 12"	23-1/8" X 23-1/2"	-	51
41PB1824	18" X 24" X 12"	23-1/8" X 29-1/2"	-	57
41PB24	24" X 24" X 12"	29-1/8" X 29-1/2"	-	66
41PB3024	30" X 24" X 12"	35-1/8" X 29-1/2"	-	75

(14" DEEP) 14GA - "41PB" PRO-BOWL SERIES SINK

MODEL	BOWL SIZE	DIMENSIONS	DRAIN BOARDS	WT. (LBS)
41PB16184	16" X 18" X 14"	21-1/8" X 23-Q/2"	-	51
41PB184	18" X 18" X 14"	23-1/8" X 23-1/2"	-	54
41PB18244	18" X 24" X 14"	23-1/8" X 29-1/2"	-	61
41PB244	24" X 24" X 14"	29-1/2" X 29-1/2"	-	70
41PB30244	30" X 24" X 14"	35-1/8" X 29-1/2"	-	79

SOME UNITS SHIP UNASSEMBLED FOR REDUCED SHIPPING COST. ALL DIMENSIONS ARE TYPICAL. TOLERANCE +/- .500"
 John Boos & Co. is constantly engaged in a program of improving products and therefore reserves the right to change specifications without prior notice.

