



**John  
BOOS**  
Since 1887

ITEM #: \_\_\_\_\_ QTY: \_\_\_\_\_  
 MODEL #: \_\_\_\_\_  
 PROJECT NAME: \_\_\_\_\_

3601 S. Banker St. Effingham, IL 62401 • P.O. BOX 609 • Ph: (888) 431-2667 • Fax: (800) 433-2667

## **"43PB-2DB" PRO-BOWL COMPARTMENT SINKS 14GA**

### **3 COMPARTMENT WITH 2 DRAIN BOARD - STAINLESS STEEL BASE**



#### **FEATURES:**

- STANDARD 14GA TYPE 300 STAINLESS STEEL WITH #4 POLISH, SATIN FINISH
- 12" & 14" DEEP BOWLS
- ALL CORNERS, BOTH VERTICAL AND HORIZONTAL, COVERED AT 5/8" RADIUS
- BOTTOMS OF BOWLS FORMED FOR DRAINAGE TO 3-1/2" DIAMETER DIE STAMPED OPENING
- FULL LENGTH **10" HIGH BOXED BACKSPLASH**, WITH 2" RETURN TO WALL AT 45 DEGREE AND 3/4" TURNED DOWN REAR LIP
- 2 SETS OF FAUCET HOLES 8" ON-CENTER
- 1-1/8" FAUCET HOLES IN BACKSPLASH
- SOLID STAINLESS STEEL FRONT PANEL, TYPE 300 STAINLESS STEEL WITH #4 POLISH, SATIN FINISH
- ALL OUTSIDE CORNERS OF ASSEMBLY ARE BULLNOSED TO PROVIDE SAFE, CLEAN, AND POLISHED EDGE

#### **MATERIAL:**

- BOWLS & TOP: 14GA TYPE 300 STAINLESS STEEL WITH #4 POLISH, SATIN FINISH
- LEGS: 1-5/8" ROUND O.D. STAINLESS STEEL
- BRACING: 1-1/4" ROUND O.D. STAINLESS STEEL
- GUSSETS: STAINLESS STEEL
- FEET: 1" ADJUSTABLE STAINLESS STEEL BULLET FEET



#### **CONSTRUCTION:**

- TOP: STAINLESS STEEL SINKS ARE TIG WELDED, EXPOSED WELDS ARE POLISHED TO MATCH ADJACENT SURFACE
- BASE: STAINLESS STEEL BASES, STANDARD K.D.

#### **14GA - "43PB-2DB" PRO-BOWL SERIES SINK**

12" DEEP	QTY	14" DEEP	QTY
43PB1618-2D18		43PB16184-2D18	
43PB1618-2D24		43PB16184-2D24	
43PB1618-2D30		43PB16184-2D30	
43PB18-2D18		43PB184-2D18	
43PB18-2D24		43PB184-2D24	
43PB18-2D30		43PB184-2D30	
43PB1824-2D18		43PB18244-2D18	
43PB1824-2D24		43PB18244-2D24	
43PB1824-2D30		43PB18244-2D30	
43PB24-2D24		43PB244-2D24	
43PB24-2D30		43PB244-2D30	
43PB3024-2D30		43PB30244-2D30	
43PB3024-2D36		43PB30244-2D36	

#### **OPTIONAL ACCESSORIES**

DESCRIPTION	QTY
END SPLASHES, R, L, OR BOTH	
FAUCETS	
ADD-A-FAUCETS	
PRE-RINSE UNITS	
LEVEL WASTE	
OVERSHELVES	
POT RACK	

# DETAILED SPECIFICATIONS

L

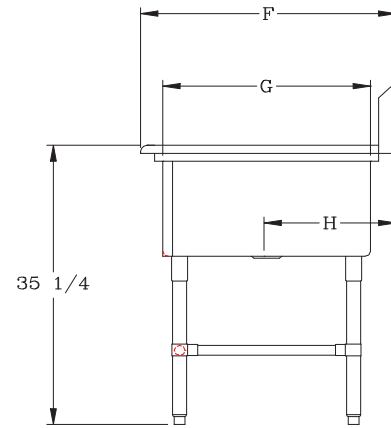
DRAINBOARD SIZE

### BOWLS

BOWL SIZE	F	G	H
16" X 18"	23-1/2"	18"	11-15/16"
16" X 20"	25-1/2"	20"	12-15/16"
18" X 18"	23-1/2"	18"	11-15/16"
18" X 24"	29-1/2"	24"	14-15/16"
24" X 24"	29-1/2"	24"	14-15/16"
30" X 24"	29-1/2"	24"	14-15/16"

### (12" DEEP) 14GA - "43PB-2DB" PRO-BOWL SERIES SINK

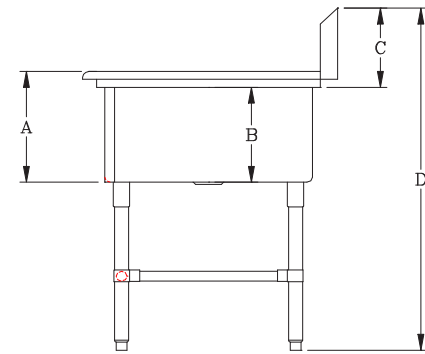
MODEL	BOWL SIZE	DIMENSIONS	DB	WT. (LBS)
43PB1618-2D18	16 X 18 X 12	87-1/4" X 23-1/2"	18"	149
43PB1618-2D24	16 X 18 X 12	99-1/4" X 23-1/2"	24"	159
43PB1618-2D30	16 X 18 X 12	111-1/4" X 23-1/2"	30"	169
43PB18-2D18	18 X 18 X 12	93-1/4" X 23-1/2"	18"	159
43PB18-2D24	18 X 18 X 12	105-1/4" X 23-1/2"	24"	169
43PB18-2D30	18 X 18 X 12	117-1/4" X 23-1/2"	30"	178
43PB1824-2D18	18 X 24 X 12	93-1/4" X 29-1/2"	18"	181
43PB1824-2D24	18 X 24 X 12	105-1/4" X 29-1/2"	24"	192
43PB1824-2D30	18 X 24 X 12	117-1/4" X 29-1/2"	30"	203
43PB24-2D24	24 X 24 X 12	123-1/4" X 29-1/2"	24"	223
43PB24-2D30	24 X 24 X 12	135-1/4" X 29-1/2"	30"	234
43PB3024-2D30	30 X 24 X 12	153-1/4" X 29-1/2"	30"	265
43PB3024-2D36	30 X 24 X 12	165-1/4" X 29-1/2"	36"	276



	12" DEEP	14" DEEP
A	14"	16"
B	12"	14"
C	10"	10"
D	43"	43"

### (14" DEEP) 14GA - "43PB-2DB" PRO-BOWL SERIES SINK

MODEL	BOWL SIZE	DIMENSIONS	DB	WT. (LBS)
43PB16184-2D18	16 X 18 X 14	87-1/4" X 23-1/2"	18"	160
43PB16184-2D24	16 X 18 X 14	99-1/4" X 23-1/2"	24"	170
43PB16184-2D30	16 X 18 X 12	111-1/4" X 23-1/2"	30"	179
43PB184-2D18	18 X 24 X 14	93-1/4" X 23-1/2"	18"	170
43PB184-2D24	24 X 24 X 14	105-1/4" X 23-1/2"	24"	180
43PB184-2D30	18 X 18 X 14	117-1/4" X 23-1/2"	30"	190
43PB18244-2D18	18 X 24 X 14	93-1/4" X 29-1/2"	18"	194
43PB18244-2D24	18 X 24 X 14	105-1/4" X 29-1/2"	24"	205
43PB18244-2D30	18 X 24 X 14	117-1/4" X 29-1/2"	30"	216
43PB244-2D24	24 X 24 X 14	123-1/4" X 29-1/2"	24"	238
43PB244-2D30	24 X 24 X 14	135-1/4" X 29-1/2"	30"	249
43PB30244-2D30	30 X 24 X 14	153-1/4" X 29-1/2"	30"	282
43PB30244-2D36	30 X 24 X 14	165-1/4" X 29-1/2"	36"	294



SOME UNITS SHIP UNASSEMBLED FOR REDUCED SHIPPING COST. ALL DIMENSIONS ARE TYPICAL. TOLERANCE +/- .500"  
 John Boos & Co. is constantly engaged in a program of improving products and therefore reserves the right to change specifications without prior notice.



3601 S. Banker St. • Effingham, IL 62401 • PO BOX 609 • quotes@johnboos.com



[www.johnboos.com](http://www.johnboos.com)