



**John  
BOOS**  
Since 1887

ITEM #: \_\_\_\_\_ QTY: \_\_\_\_\_  
 MODEL #: \_\_\_\_\_  
 PROJECT NAME: \_\_\_\_\_

3601 S. Banker St. Effingham, IL 62401 • P.O. BOX 609 • Ph: (888) 431-2667 • Fax: (800) 433-2667

## **"3PB" PRO-BOWL COMPARTMENT SINKS 16GA**



### **3 COMPARTMENT - STAINLESS STEEL BASE**

#### **FEATURES:**

- STANDARD 16GA TYPE 300 STAINLESS STEEL WITH #4 POLISH, SATIN FINISH
- 12" & 14" DEEP BOWLS
- ALL CORNERS, BOTH VERTICAL AND HORIZONTAL, COVERED AT 5/8" RADIUS
- BOTTOMS OF BOWLS FORMED FOR DRAINAGE TO 3-1/2" DIAMETER DIE STAMPED OPENING
- FULL LENGTH **10" HIGH BOXED BACKSPLASH**, WITH 2" RETURN TO WALL AT 45 DEGREE AND 3/4" TURNED DOWN REAR LIP
- 8" ON-CENTER, 1-1/8" FAUCET HOLES IN BACKSPLASH
- SOLID STAINLESS STEEL FRONT PANEL, TYPE 300 STAINLESS STEEL WITH #4 POLISH, SATIN FINISH
- ALL OUTSIDE CORNERS OF ASSEMBLY ARE BULLNOSED TO PROVIDE SAFE, CLEAN, AND POLISHED EDGE

#### **MATERIAL:**

- BOWLS & TOP: 16GA TYPE 300 STAINLESS STEEL WITH #4 POLISH, SATIN FINISH
- LEGS: 1-5/8" ROUND O.D. STAINLESS STEEL
- BRACING: 1-1/4" ROUND O.D. STAINLESS STEEL
- GUSSETS: STAINLESS STEEL
- FEET: 1" ADJUSTABLE STAINLESS STEEL BULLET FEET



#### **CONSTRUCTION:**

- TOP: STAINLESS STEEL SINKS ARE TIG WELDED, EXPOSED WELDS ARE POLISHED TO MATCH ADJACENT SURFACE
- BASE: STAINLESS STEEL BASES, STANDARD K.D.

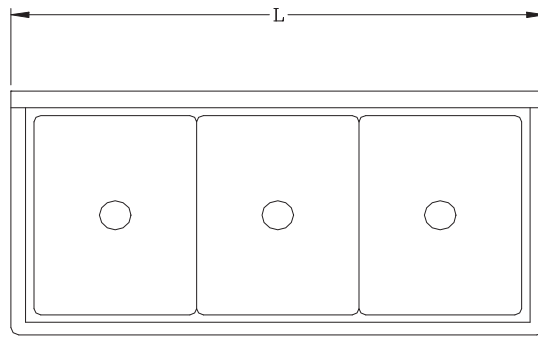
#### **16GA - "3PB" PRO-BOWL SERIES SINK**

12" DEEP	QTY	14" DEEP	QTY
3PB1618		3PB16184	
3PB18		3PB184	
3PB1824		3PB18244	
3PB24		3PB244	
3PB3024		3PB30244	

#### **OPTIONAL ACCESSORIES**

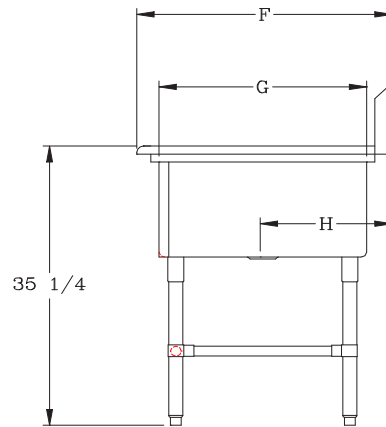
DESCRIPTION	QTY
END SPLASHES, R, L, OR BOTH	
FAUCETS	
ADD-A-FAUCETS	
PRE-RINSE UNITS	
LEVEL WASTE	
OVERSHELVES	
POT RACK	

# DETAILED SPECIFICATIONS



### BOWLS

BOWL SIZE	F	G	H
16" X 18"	23-1/2"	18"	11-15/16"
16" X 20"	25-1/2"	20"	12-15/16"
18" X 18"	23-1/2"	18"	11-15/16"
18" X 24"	29-1/2"	24"	14-15/16"
24" X 24"	29-1/2"	24"	14-15/16"
30" X 24"	29-1/2"	24"	14-15/16"



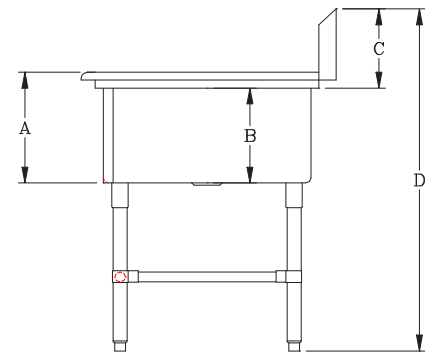
### (12" DEEP) 16GA - "3PB" PRO-BOWL SERIES SINK

MODEL	BOWL SIZE	DIMENSIONS	DB	WT. (LBS)
3PB1618	16" X 18" X 12"	53-1/8" X 23-1/2"	-	100
3PB18	18" X 18" X 12"	59-1/8" X 23-1/2"	-	108
3PB1824	18" X 24" X 12"	59-1/8" X 29-1/2"	-	122
3PB24	24" X 24" X 12"	77-1/8" X 29-1/2"	-	147
3PB3024	30" X 24" X 12"	95-1/8" X 29-1/2"	-	172

	12" DEEP	14" DEEP
A	14"	16"
B	12"	14"
C	10"	10"
D	43"	43"

### (14" DEEP) 16GA - "3PB" PRO-BOWL SERIES SINK

MODEL	BOWL SIZE	DIMENSIONS	DB	WT. (LBS)
3PB16184	16" X 18" X 14"	53-1/8" X 23-1/2"	-	109
3PB184	18" X 18" X 14"	59-1/8" X 23-1/2"	-	117
3PB18244	18" X 24" X 14"	59-1/8" X 29-1/2"	-	132
3PB244	24" X 24" X 14"	77-1/8" X 29-1/2"	-	159
3PB30244	30" X 24" X 14"	95-1/8" X 29-1/2"	-	186



SOME UNITS SHIP UNASSEMBLED FOR REDUCED SHIPPING COST. ALL DIMENSIONS ARE TYPICAL. TOLERANCE +/- .500"  
 John Boos & Co. is constantly engaged in a program of improving products and therefore reserves the right to change specifications without prior notice.



3601 S. Banker St. • Effingham, IL 62401 • PO BOX 609 • quotes@johnboos.com



[www.johnboos.com](http://www.johnboos.com)