

## Wall Mounted Sorting Shelves



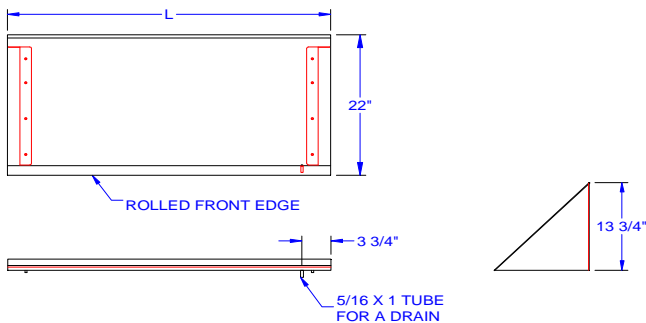
Item #	_____	Qty	_____
Model #	_____		
Project	_____		

AUTOQUOTES



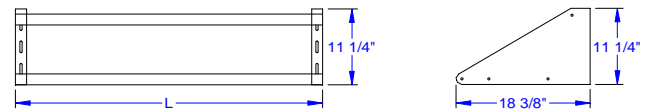
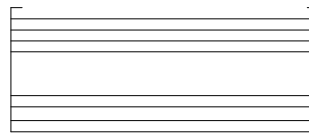
### SOLID

MODEL #	Length	Width	Height	Weight
PB-SRW-21	21"	18"	16"	5
PB-SRW-42	42"	18"	16"	10
PB-SRW-63	63"	18"	16"	25



### TUBULAR

MODEL #	Length	Width	Height	Weight
BHS1822-TS	22"	18"	11"	20
BHS1842-TS	42"	18"	11"	23
BHS1863-TS	63"	18"	11"	25



### FEATURES:

Solid sorting wall shelf

### CONSTRUCTION:

TIG -Welded with exposed surfaces blended to match

### MATERIAL:

Brackets are 18 gauge type 300 series stainless steel  
Shelf is 18 gauge type 300 series stainless steel

### FEATURES:

Dual purpose open design, Wall mounted sorting shelf

### CONSTRUCTION:

Unit is shipped with assembly hardware, No Welding

### MATERIAL:

Brackets are 16 gauge type 300 series stainless steel  
Tubing is 1-5/8" dia. Type 300 stainless steel



### Option \*\* 0460D

Double sided slanted tubular rack sorting shelf, Table mount (minimum 3 ft.), ( per linear ft.)

## John Boos & Co

3601 S. Banker Street - Effingham, IL 62401

Phone: 217-347-7701 - Fax: 217-347-7705

Email: sales@johnboos.com - Web-site: www.johnboos.com