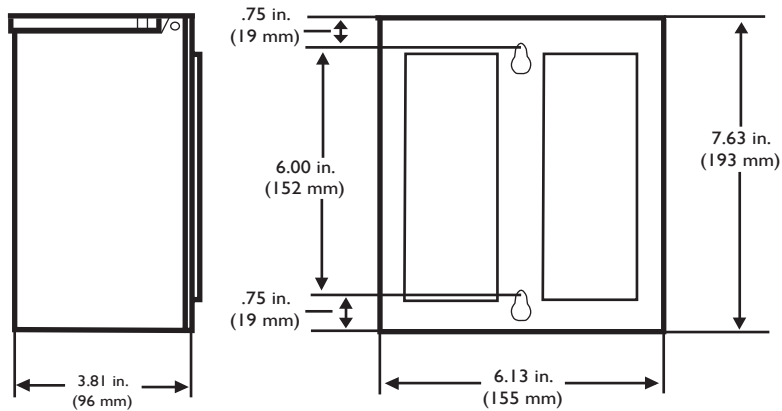
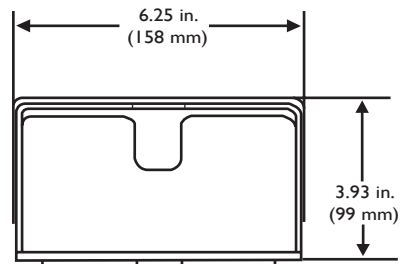
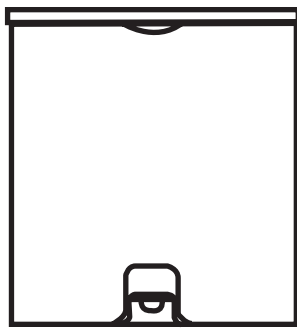


# KOALA KARE PRODUCTS KB134-PLLD ACRYLIC BED LINER DISPENSER



**MATERIALS:**

Transparent, smoke-colored acrylic.

**OPERATION:**

Wall-mounted, top-loading unit holds approximately 20 three-ply chemical-free biodegradable sanitary liners (KB150-99) for use with Koala Baby Changing Stations or other brands that lack sanitary liners. Transparent plastic design allows maintenance staff to tell at a glance whether unit needs restocking.

**SPECIFICATION:**

Sanitary Liner Dispenser should be durable, transparent, smoke-colored acrylic. Unit should hold 20 three-ply chemical-free biodegradable sanitary liners (KB150-99). Unit should comply with ADA regulations when properly installed. Dispenser should be backed by manufacturer's 5-year limited warranty on materials and workmanship and be manufactured in the U.S.A.

**INSTALLATION:**

To ensure proper installation and compliance with building codes, it is recommended that a qualified person or carpenter install the unit. The Koala Kare Products Sanitary Liner Dispenser meets ADA regulations when properly installed.

The dispenser can be mounted on any vertical surface without removing any part of the unit. Fasteners for hollow walls and wood/sheet metal walls are supplied with the dispenser. The wall section selected for installation should be sturdy. The rear of the dispenser has 2 strips of double backed foam adhesive tape and 2 "keyholes." Choose only one method for mounting.

Tape mounting method – Remove cover from tape and place dispenser where desired.

Keyhole mounting method – Use dimensions shown above, or set dispenser on vertical surface where desired and mark the location of the holes through the keyhole provided on the back. Use washers under the heads of all fasteners.

Two #10 x 2-3/8" (51 mm) hollow wall anchor screws (supplied) require drilled holes of 3/8" (9.5mm) before placing dispenser on vertical surface.

Two #10 x 1 1/4" (25 mm) sheet metal screws (supplied) do not require drilled holes, but starter holes of 1/8" (3mm) would be helpful.

*The illustrations and descriptions herein are applicable to production as of the date of this Technical Data Sheet. The manufacturer reserves the right to, and does from time to time, make changes and improvements in designs and dimensions without notice.*



