



Model: _____ Item #: _____ Date: _____
 Project: _____ Qty: _____ Approved By: _____

Single Craft Cocktail Stations

ROYAL SERIES CRAFT COCKTAIL



Standard Features

- Removable Garnish Station with integrated cover & pint cups
- Insulated Elixir section with stainless steel dividers & perforated bottom for ice separation
- Ice Bin dividers which allow for storage of different types of ice
- 5-Tier Liquor Display maximizes storage capacity
- Speedrail included
- Tool well with dipperwell faucet
- High performance speed rinser
- 24" front to back depth
- Ships in sections up to 7 ft.
- Available on stainless legs or modular bar die
- Built-in options available with Modular Bar Die: Junction box for outlets & LED lights

Models without Cold Plates

Models	Overall Size	Ice Bin Size	Ice Capacity	Garnish Cups	Elixir Bottles	Liquor Bottles	Ice Bin Dividers	Cold Plate	Weight
KR18-MX54	54"	18"	63	5	10	17	0	N/A	246
KR18-MX60	60"	24"	80	6	10	19	1	N/A	252
KR18-MX70	70"	30"	97	8	10	30	2	N/A	267

Models with Cold Plates


Models	Overall Size	Ice Bin Size	Ice Capacity	Garnish Cups	Elixir Bottles	Liquor Bottles	Ice Bin Dividers	Cold Plate	Weight
KR18-MX54-7	54"	18"	63	5	10	17	0	7-Circuit	281
KR18-MX60-10	60"	24"	80	6	10	19	1	10-Circuit	347
KR18-MX70-10	70"	30"	97	8	10	30	2	10-Circuit	362

Note: Models with Cold Plates have the exact same dimensions as models without cold plates.

Specifications

Materials	<ul style="list-style-type: none"> ▪ Interior, Front Apron & Backsplash: 20 gauge stainless steel ▪ Back & Bottom: 20 gauge galvanized steel ▪ Legs: 18 gauge stainless steel 	Backsplash	<ul style="list-style-type: none"> ▪ 6-1/2" H x 1-1/2" D
Drains	<ul style="list-style-type: none"> ▪ 1-1/2" IPS Drain, Sink bowl ▪ 1/2" NPS Drain, Dipperwell ▪ 1" NPS Drain, Elixir section ▪ 1" IPS Drain, Ice bin ▪ 1/2" IPS Drain, Ice bin with Cold Plate. 4" PVC tailpiece provided. PVC tailpiece required to avoid condensation through metal to metal contact. 	Faucet	<ul style="list-style-type: none"> ▪ 4" Center wall mount Royal Series faucet ▪ 1/4" turn ceramic cartridge valves ▪ 1/2" IPS Hot & Cold water
Cold Plate	<ul style="list-style-type: none"> ▪ Cast aluminum post mix plate with 7 or 10 circuits depending on model. Plate is sealed into bottom. Each circuit is 5/16" OD stainless steel tubing. Two full with remainder to be half circuits. Bump and swedge fittings on ends. 	Dipperwell Faucet	<ul style="list-style-type: none"> ▪ 1/2" IPS Cold
		Cutting Board	<ul style="list-style-type: none"> ▪ Non-slip flush mounted cutting board ▪ 11.5"W x 10"L
		Speed Rinser	<ul style="list-style-type: none"> ▪ 1/2" IPS Cold
		Legs	<ul style="list-style-type: none"> ▪ 1-5/8" tubular legs w/ grey plastic bullet foot
		Sink Bowl	<ul style="list-style-type: none"> ▪ 10"W x 12"L x 7"D

Cold Plate units supplied with 1/2" x 4" PVC tailpiece. 1/2" - 20 male threaded



Model KR-CPN4





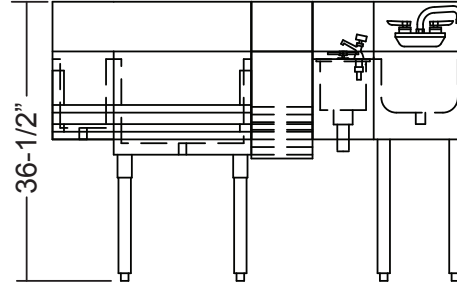
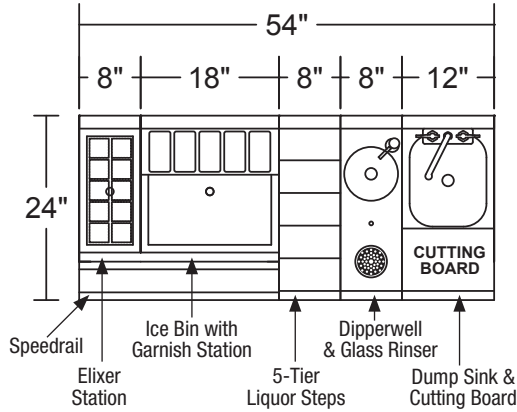
Model: _____ Item #: _____ Date: _____

Project: _____ Qty: _____ Approved By: _____

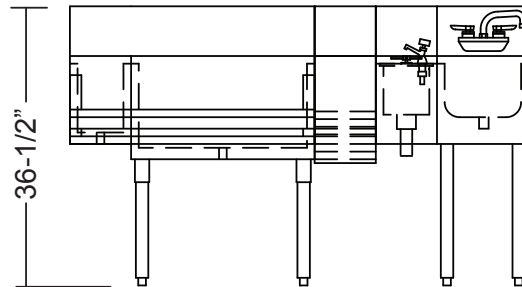
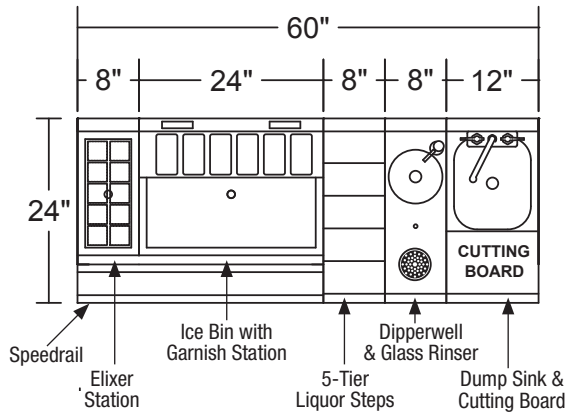
Single Craft Cocktail Stations

ROYAL SERIES CRAFT COCKTAIL

KR18-MX54 or KR18-MX54-7



KR18-MX60 or KR18-MX60-10



KR18-MX70 or KR18-MX70-10

