

KRATOS

PROJECT NAME: _____

LOCATION: _____

ITEM #: _____ QTY: _____

MODEL: _____

GRIDDLES

*Transform your countertop
into a cooking surface!*



29Y-006
29Y-009



29Y-004
29Y-007



29Y-005
29Y-008



Intertek



Intertek

FEATURES

- 3/4" HIGHLY POLISHED GRIDDLE PLATE FOR EVEN HEAT DISTRIBUTION AND QUICK RECOVERY TIMES
- SHIPS READY TO USE FOR NATURAL GAS, FIELD CONVERTIBLE TO LIQUID PROPANE
- INDEPENDENT CONTROLS FOR EACH BURNER FOR USER VERSATILITY
- MODELS 29Y-004/5/6 OFFER MANUAL TEMPERATURE CONTROLS WHILE MODELS 29Y-007/8/9 OFFER MORE PRECISE THERMOSTATIC COOKING CONTROLS
- ALL MODELS FEATURE A TEMPERATURE RANGE OF 200° - 450°F
- 1 YEAR WARRANTY
- ETL, ETL SANITATION CERTIFIED

SPECIFICATIONS

ITEM	WIDTH	DEPTH	HEIGHT	BURNERS	BTU	GAS TYPE	CONTROL TYPE	COOKING AREA
29Y-004	24"	29.5"	15.25"	2	60,000	NAT/LP	MANUAL	20.6 x 24
29Y-005	36"	29.5"	15.25"	3	90,000	NAT/LP	MANUAL	20.6 x 36
29Y-006	48"	29.5"	15.25"	4	120,000	NAT/LP	MANUAL	20.6 x 48
29Y-007	24"	29.5"	15.25"	2	60,000	NAT/LP	THERMOSTATIC	20.6 x 24
29Y-008	36"	29.5"	15.25"	3	90,000	NAT/LP	THERMOSTATIC	20.6 x 36
29Y-009	48"	29.5"	15.25"	4	120,000	NAT/LP	THERMOSTATIC	20.6 x 48

KRATOS

PROJECT NAME: _____

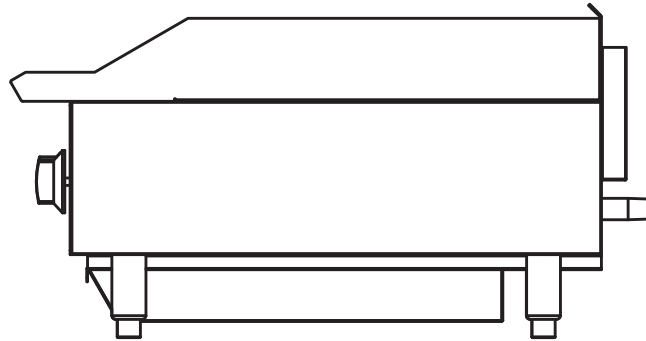
LOCATION: _____

ITEM #: _____ QTY: _____

MODEL: _____

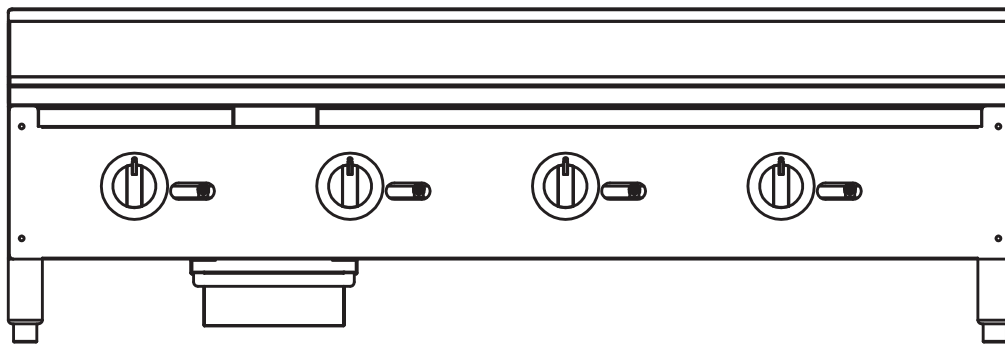
29Y-006 / 29Y-009

SIDE



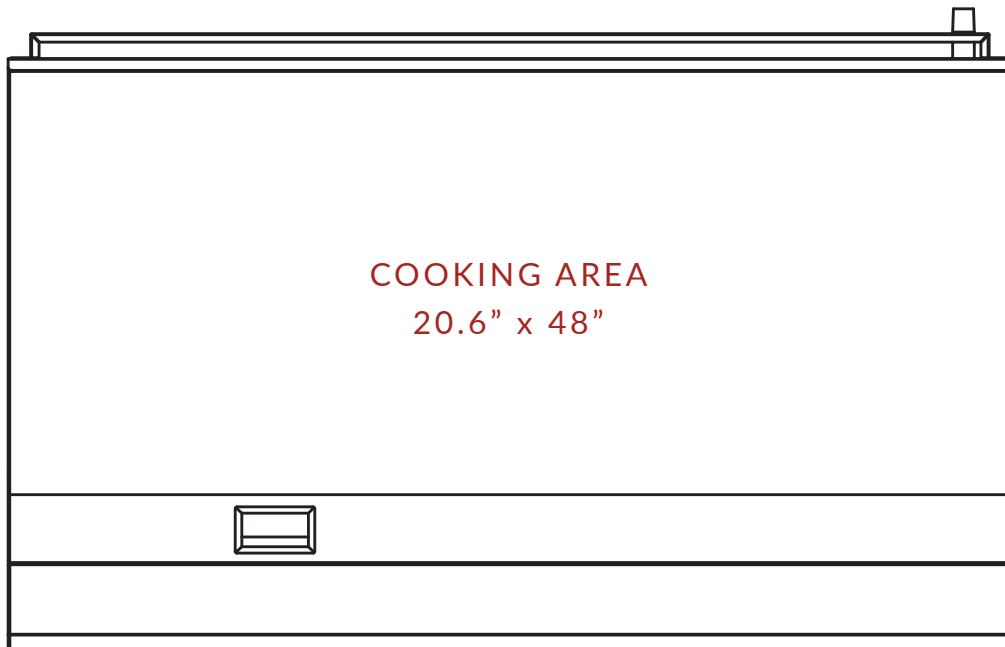
DEPTH 29.5"

FRONT



HEIGHT
34"

TOP



COOKING AREA
20.6" x 48"

WIDTH 48"

KRATOS

PROJECT NAME: _____

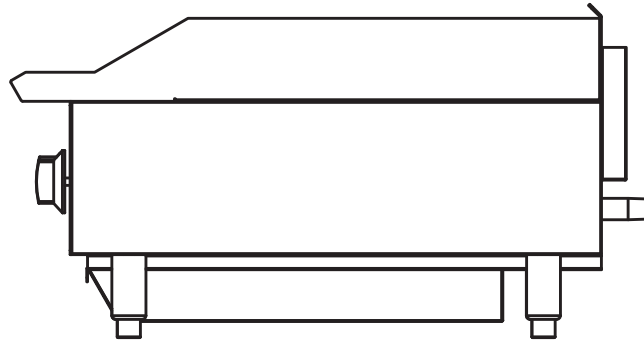
LOCATION: _____

ITEM #: _____ QTY: _____

MODEL: _____

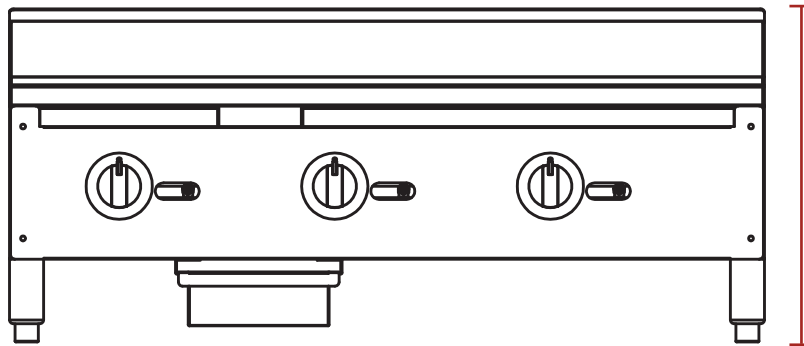
29Y-005 / 29Y-008

SIDE



DEPTH 29.5"

FRONT



HEIGHT
34"

TOP



COOKING AREA
20.6" x 36"

WIDTH 36"

KRATOS

PROJECT NAME: _____

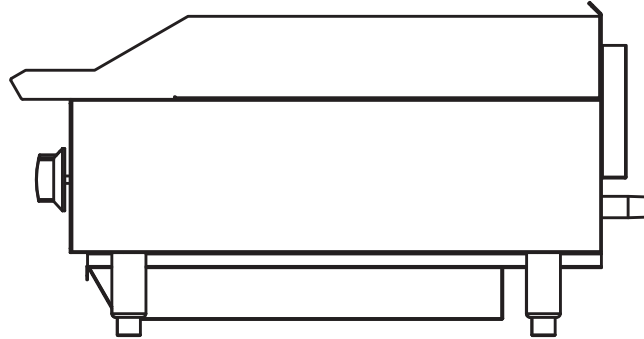
LOCATION: _____

ITEM #: _____ QTY: _____

MODEL: _____

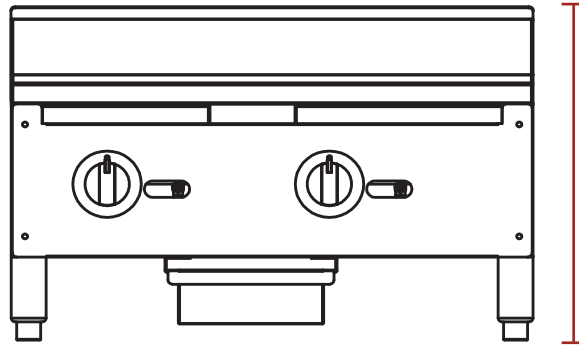
29Y-004 / 29Y-007

SIDE



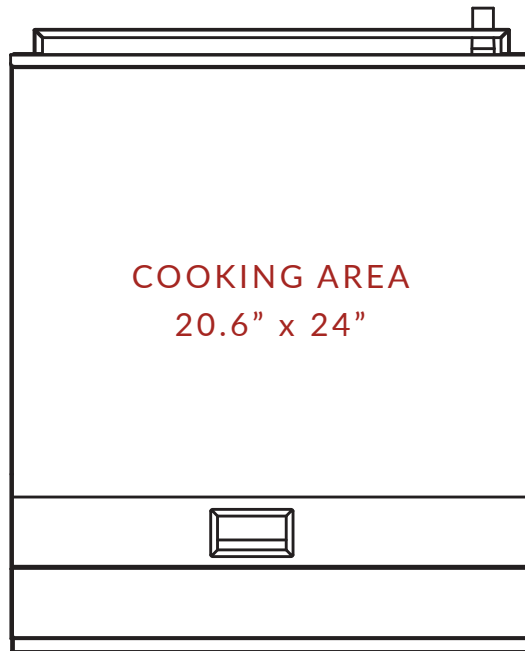
DEPTH 29.5"

FRONT



HEIGHT
34"

TOP



COOKING AREA
20.6" x 24"

WIDTH 24"