

General Information

Project Name: _____

Consultant: _____

Item #: _____

Model #: _____

Quantity: _____



Specifications

LFT Floor Troughs are constructed of 14GA stainless steel type 300 series, consisting of a 4" deep trough and integral tightly hemmed shoulder for grating and is completely welded and polished. A special stainless steel waste cup with removable perforated stainless steel basket is supplied and can accommodate up to a 3" waste outlet.

Troughs have a built-in pitch towards waste for complete drainage and is supplied with anchor straps.

Ledgeless hemmed design gives the trough 18% more drainage area.

Product Guide

Most troughs in the industry are made with 1½" or 2" ledge, which gets greasy and oily in front of the kettle and cooking area. The ledgeless design eliminates this condition by making the trough virtually slip proof. Use with our anti-slip grating and you have a slip proof area which is very safe for the cooks.

Use for Institutional and Public Buildings or large food prep facilities.

Integral coves, deep pitch and a large waste cup, assure quick and complete drainage.

Recessed flange supports floor tile and provides a grout pocket.

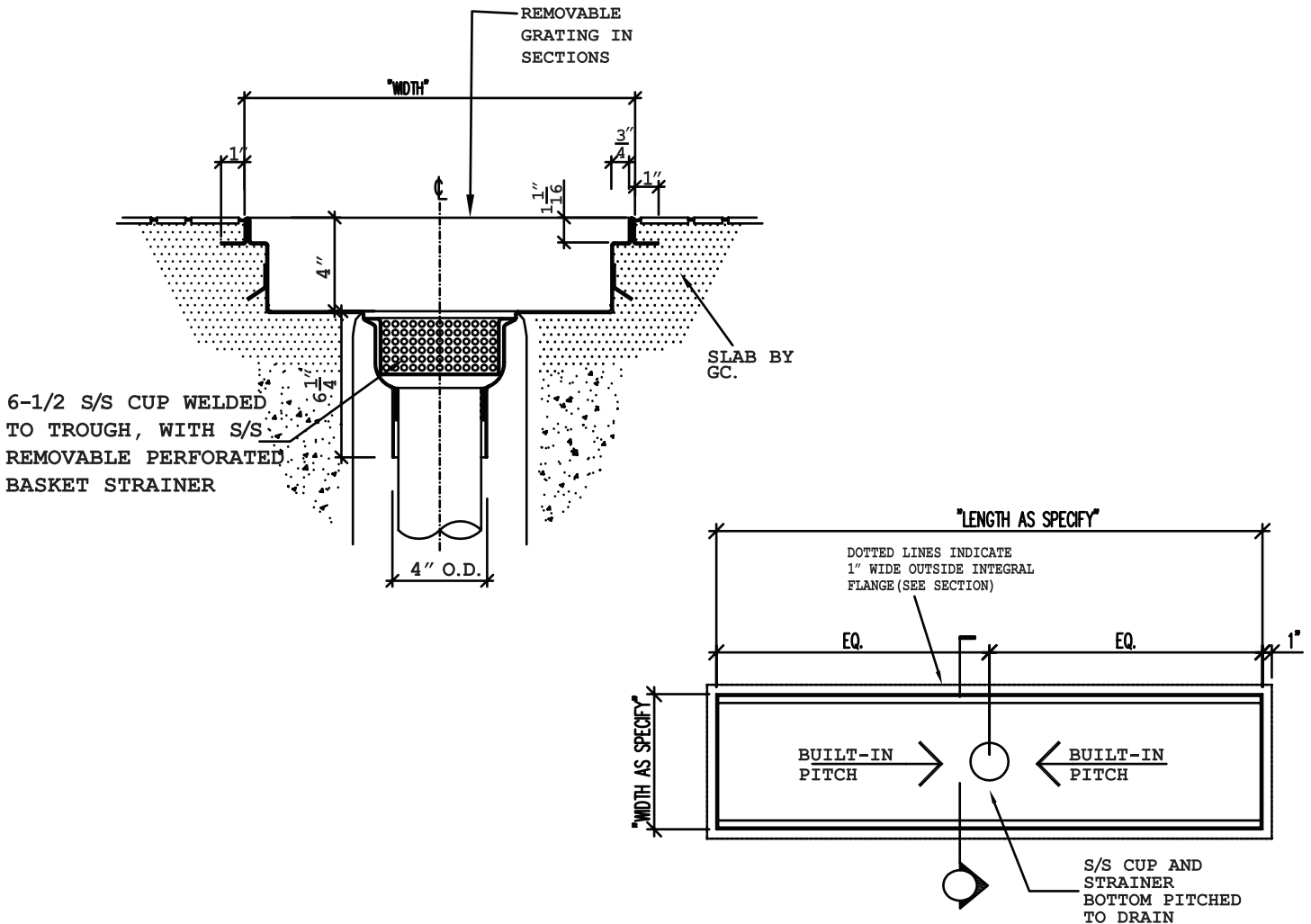
Extension arms and intersections available for multiple equipment layout.

Options

- 3", 3½", 5", 6", 8" OD Tube (circle one)
- Waste Tube over 3" Long
- Additional Wastes
- Waste Cup Strainers
- Beehive Strainers
- Off Center Waste
- ST12** - Scrap Tray 12" Long
- Perforated Waste Pipe
- Special Size Setting Flange 2" Deep
- Special Size Setting Flange 2" to 4" Deep
- Oversize Waste Tube
- Lint Screen for Laundry Trough
- ST20** - Scrap Tray 20" Long
- Drain on the Side or End
- Rim on Drain
- Basket Strainer w/ Handle & Chain
- BXD** - Box Type Drain
- BSX** - Beehive Strainer for Box Drain
- GA-12** - 12GA Upgrade

LFT-40 0919

DRAWINGS



LEDGELESS DESIGN FLOOR TROUGHS

Model	Size (W x L)	Model	Size (W x L)	Model	Size (W x L)	Model	Size (W x L)
□ LFT-1224	12" x 24"	□ LFT-1824	18" x 24"	□ LFT-2424	24" x 24"	□ LFT-3024	30" x 24"
□ LFT-1230	12" x 24"	□ LFT-1830	18" x 30"	□ LFT-2430	24" x 30"	□ LFT-3030	30" x 30"
□ LFT-1236	12" x 36"	□ LFT-1836	18" x 36"	□ LFT-2436	24" x 36"	□ LFT-3036	30" x 36"
□ LFT-1248	12" x 48"	□ LFT-1848	18" x 48"	□ LFT-2448	24" x 48"	□ LFT-3048	30" x 48"
□ LFT-1260	12" x 60"	□ LFT-1860	18" x 60"	□ LFT-2460	24" x 60"	□ LFT-3060	30" x 60"
□ LFT-1272	12" x 72"	□ LFT-1872	18" x 72"	□ LFT-2472	24" x 72"	□ LFT-3072	30" x 72"
□ LFT-1284	12" x 84"	□ LFT-1884	18" x 84"	□ LFT-2484	24" x 84"	□ LFT-3084	30" x 84"
□ LFT-1296	12" x 96"	□ LFT-1896	18" x 96"	□ LFT-2496	24" x 96"	□ LFT-3096	30" x 96"
□ LFT-12108	12" x 108"	□ LFT-18108	18" x 108"	□ LFT-24108	24" x 108"	□ LFT-30108	30" x 108"
□ LFT-12120	12" x 120"	□ LFT-18120	18" x 120"	□ LFT-24120	24" x 120"	□ LFT-30120	30" x 120"

Specifications subject to change without notice.

LFT-40 0919