

## CA72-RR18-CDD-R

Display Cabinet (with removable pan supports)

### Features:

- All aluminum construction with 1 or 2 clear doors
- Furnished with 18 pair of 1 1/2" pan supports on 3 1/4" centers
- Standard with right hand hinging; left hand hinging available upon request

### Options:

- 3 1/2" or 5 1/2" (universal) pan supports
- Full clear door
- Perimeter or corner bumpers
- Hasp lock
- Caster options available

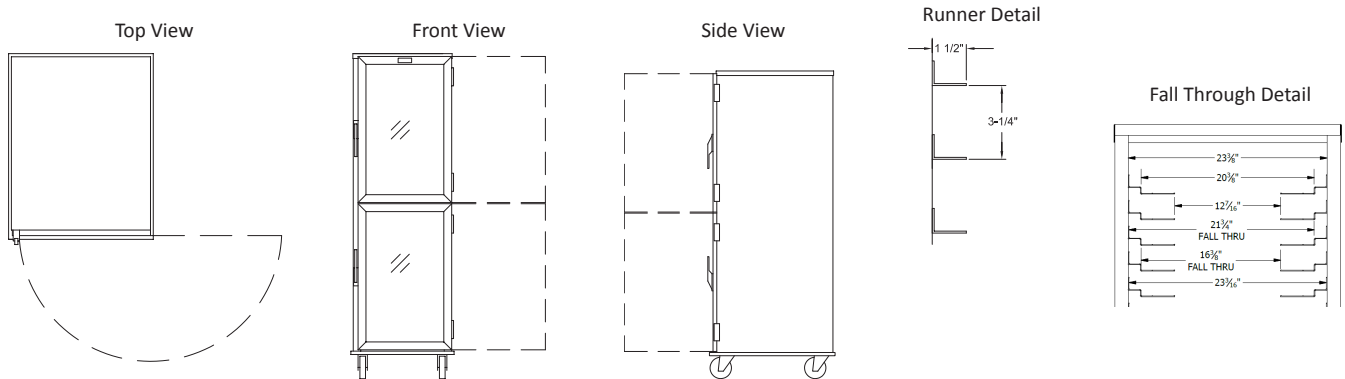


Manufacturing Material and Food Handling Equipment



## CA72-RR18-CDD-R

Display Cabinet (with removable pan supports)



Lockwood Model No.	Pan			Exterior Dimensions			Inside Dimensions				Weight
	Angles	Capacity		Width	Depth	Height	Width	Depth	Height		
CA72-RR18-CDD-R	18 pair	18	IN	22 7/8	29 3/8	72	18 1/2	27 1/8	64 9/16	LBS	110
			CM	58.1	74.61	182.88	47	68.9	163.99	KG	49.89

\*\* Add 2" to width and depth with corner bumper option

### Cabinet Specifications:

- Top: One piece .063" aluminum; riveted and welded to sides and back
- Side panels: Formed .090" aluminum; welded to base and top
- Back panel: .090" aluminum; welded and riveted to base and top

### Base Specifications:

- One piece .125" aluminum; formed construction
- Casters: (4) 5" x 1 1/4" High Tech grey non-marking swivel (2 w/brakes); load capacity 250 lbs each (113.40 kg); temp. range -45° / +180° F

### Door Specifications:

- Frame: 7/8" x 1 3/4" extruded aluminum screwed and welded together
- Panel: .118" clear polycarbonate, fitted into door frame
- Latch: Magnetic type latch handle screwed to door frame
- Hinges: 4" stainless steel - opens 180°
- Gasket: Perimeter; fitted into frame extrusion, flexible PVC rubber

***Lockwood reserves the right to change materials and specifications without notice.***

### Pan Support Specifications:

- Extruded .080" aluminum; removable
- Adjustable on 3 1/4" centers