



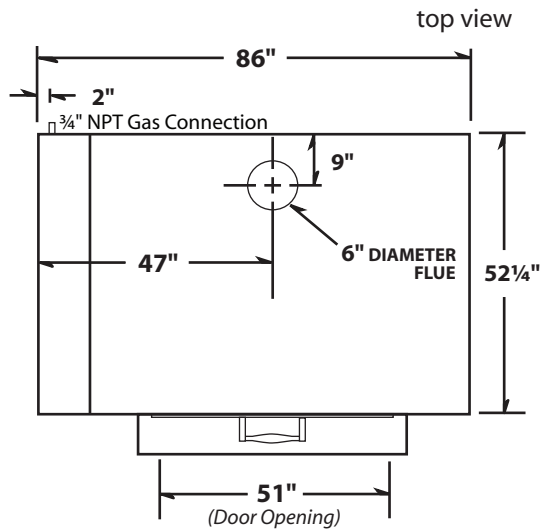
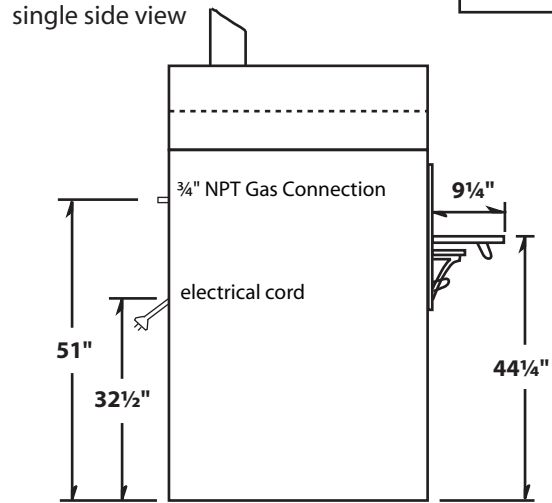
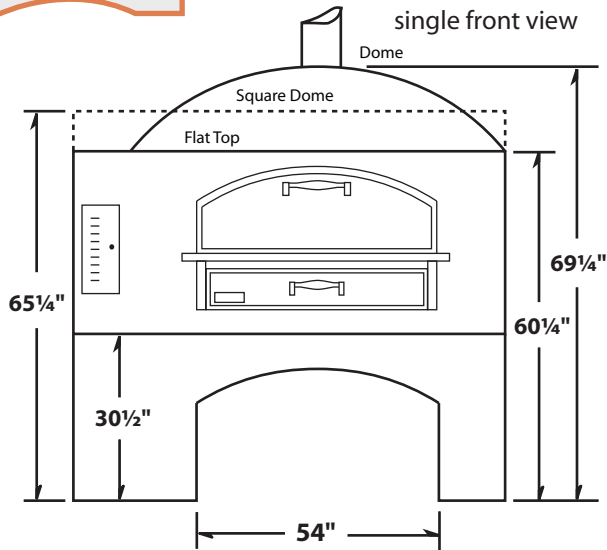
8 Pie MB Series Pizza Oven Specifications

Model No. MB866

Phone: (631) 226-6688

FAX: (631) 226-6890

Dotted Lines Indicate
Flat Dome Model Dimensions



specifications

	MB 866 Single	MB 866 Stacked
Height	Dome: 69 1/2" Square: 65 1/4" Flat: 60 1/4"	Dome: 80 1/2" Square: 76 1/4" Flat: 71 1/4"
Depth x Length	52 1/4" x 86"	52 1/4" x 86"
Cooking Surface	44" x 66"	44" x 66" x 2
BTUs	LP: 120,000 NAT: 130,000	LP: 120,000 x 2 NAT: 130,000 x 2
Electrical	120 VAC	120 VAC
Shipping Weight	2,275 lbs.	4,250 lbs.

