

Non-Refrigerated Service Slide In Counter Case

- NE3620DSV
- NE4820DSV

Lengths include end panels
 35-3/4"L x 33"D x 20-3/8"H
 47-3/4"L x 33"D x 20-3/8"H



STANDARD FEATURES

- NOTE: Contact Factory for lead time
- (1) Level of clear glass shelving removable and adjustable on 1" centers
- LED top & shelf lights
- NOTE: Overall case height is 39-5/8" (includes below counter)
- One piece formed ABS plastic tub
- One year parts & labor warranty
- Slide in base
- Vertical, fixed front & side UV bonded frameless glass

Features	Standard	Options
EXTERIOR COLOR	<input type="checkbox"/> Black	<input type="checkbox"/> Painted (non-stock colors, specify RAL#) <input type="checkbox"/> Painted (stock colors, specify RAL#) <input type="checkbox"/> Stainless steel
INTERIOR COLOR	<input type="checkbox"/> Black	<input type="checkbox"/> NOTE: Interior color must be FDA & NSF approved <input type="checkbox"/> Painted (stock colors, specify RAL#) <input type="checkbox"/> Stainless steel
LEFT END GLASS	<input type="checkbox"/> Glass end	<input type="checkbox"/> No end glass
RIGHT END GLASS	<input type="checkbox"/> Glass end	<input type="checkbox"/> No end glass
UPPER REAR	<input type="checkbox"/> Clear glass rear sliding doors	<input type="checkbox"/> Reflective glass rear sliding doors
LIGHTS	<input type="checkbox"/> LED 3500K w/ frosted lens	<input type="checkbox"/> LED 3000K w/ frosted lens <input type="checkbox"/> LED 4000K w/ frosted lens
ELECTRICAL CONNECT	<input type="checkbox"/> 12" straight blade power cord	<input type="checkbox"/> 12" locking power cord <input type="checkbox"/> Electrical leads (non-refrigerated)
MISCELLANEOUS		<input type="checkbox"/> Rear door lock <input type="checkbox"/> Second year parts & labor warranty

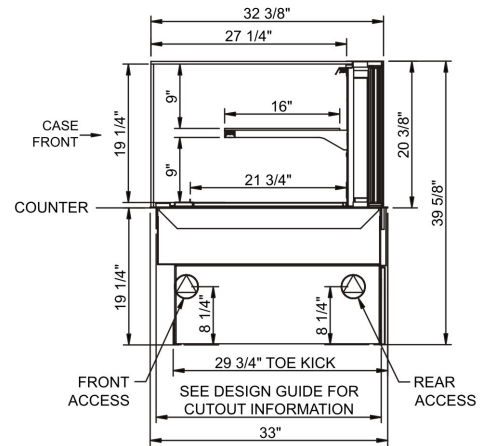
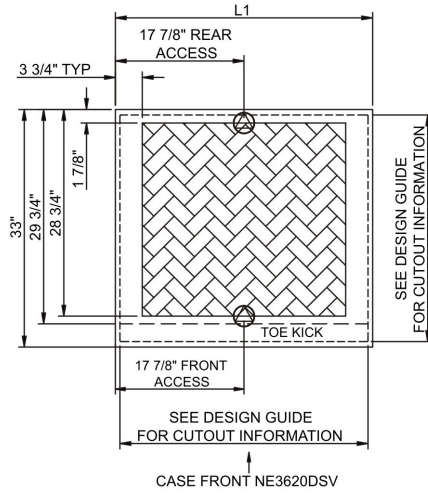
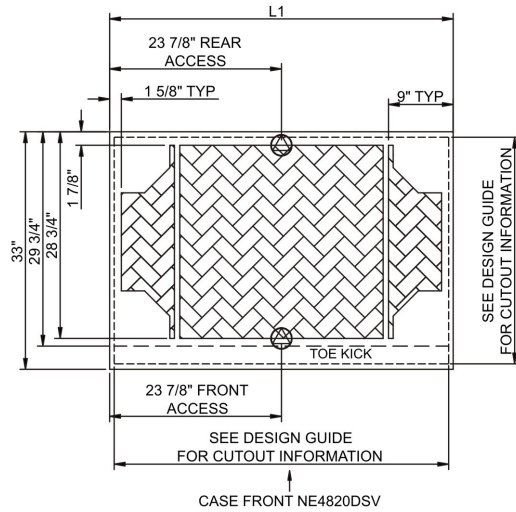
Reveal[®]

Product Specifications

Intended Environment: Type I - Designed to operate in ambient conditions of 75°F with 55% relative humidity unless noted otherwise in system information below.		Warmest Avg Prod Temp ° F
Zone	Intended Product To Be Displayed	Ambient
All	Unpackaged non-refrigerated products	

PLAN VIEW

SIDE VIEW



NOTE: ALL DIMENSIONS APPROXIMATE

- ELECTRICAL JUNCTION BOX (SUPPLIED WITH 6\"/>
- LOCATION OF DRAIN TUBE FOR REMOTE REF. ONLY (SUPPLIED WITH 3/4\"/>

- REFRIGERATION LINE CONNECTION.
- REMOTE FLOOR SINK & UTILITIES ACCESS AREA.

- SELF-CONTAINED CASE SERVICE ACCESS AREA.
- DRY CASE SERVICE ACCESS AREA.

Model Technical Specifications															
Model	L"	L1"	L2"	System	Circuit	Volts	Phs	Freq	Amps ***	Watts	Wires	NEMA Plug	SST	BTUH	Est Wt
NE3620DSV	N/A	35.75	.00	Ambient	Circuit #1	110-120	1	60	0.70	8	2+G	5-15P or L5-15P	N/A	N/A	650
NE4820DSV	N/A	47.75	.00	Ambient	Circuit #1	110-120	1	60	0.70	11	2+G	5-15P or L5-15P	N/A	N/A	850

*** Does not include electric defrost on freezer models.

Important Notes:

- 1) ELECTRICAL NOTE: If GFCI is required, a GFCI breaker MUST be used in lieu of a GFCI receptacle
- 2) 19.25" minimum space required beneath counter surface.

Regulatory Approvals:

All Models ETL Listed to UL 65
ETL Sanitation to NSF 2

