

Non-Refrigerated Self-Service Slide In Counter Case

- NE3635DSSV
- NE4835DSSV

Lengths include end panels
 35-3/4"L x 33"D x 35-3/8"H
 47-3/4"L x 33"D x 35-3/8"H



STANDARD FEATURES

- NOTE: Contact Factory for lead time
- (3) Levels of clear glass shelving removable and adjustable on 1" centers
- LED top & shelf lights
- NOTE: Overall case height is 54-5/8" (includes below counter)
- One piece formed ABS plastic tub
- One year parts & labor warranty
- Slide in base

Features	Standard	Options
EXTERIOR COLOR	<input type="checkbox"/> Black	<input type="checkbox"/> Painted (non-stock colors, specify RAL#) <input type="checkbox"/> Painted (stock colors, specify RAL#) <input type="checkbox"/> Stainless steel
INTERIOR COLOR	<input type="checkbox"/> Black	<input type="checkbox"/> NOTE: Interior color must be FDA & NSF approved <input type="checkbox"/> Painted (stock colors, specify RAL#) <input type="checkbox"/> Stainless steel
LEFT END GLASS	<input type="checkbox"/> Glass end	<input type="checkbox"/> No end glass
RIGHT END GLASS	<input type="checkbox"/> Glass end	<input type="checkbox"/> No end glass
UPPER REAR	<input type="checkbox"/> Solid back panel	<input type="checkbox"/> Clear glass rear sliding doors <input type="checkbox"/> Reflective glass rear sliding doors
LIGHTS	<input type="checkbox"/> LED 3500K w/ frosted lens	<input type="checkbox"/> LED 3000K w/ frosted lens <input type="checkbox"/> LED 4000K w/ frosted lens
ELECTRICAL CONNECT	<input type="checkbox"/> 12" straight blade power cord	<input type="checkbox"/> 12" locking power cord <input type="checkbox"/> Electrical leads (non-refrigerated)
MISCELLANEOUS		<input type="checkbox"/> Rear door lock <input type="checkbox"/> Second year parts & labor warranty
ACCESSORIES		<input type="checkbox"/> Clear acrylic security cover, removable, locking

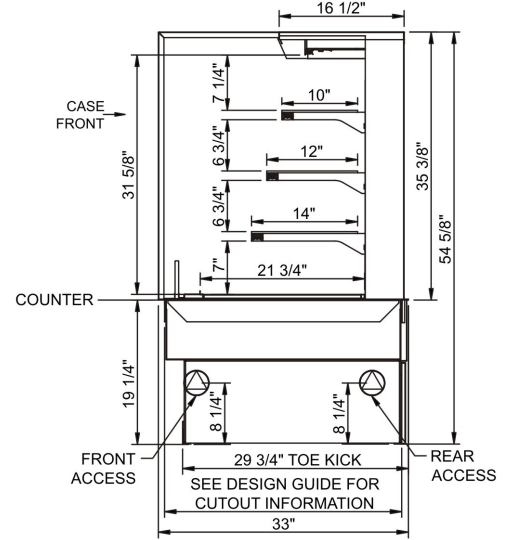
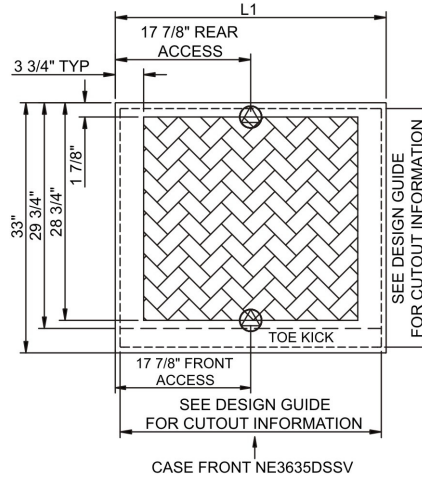
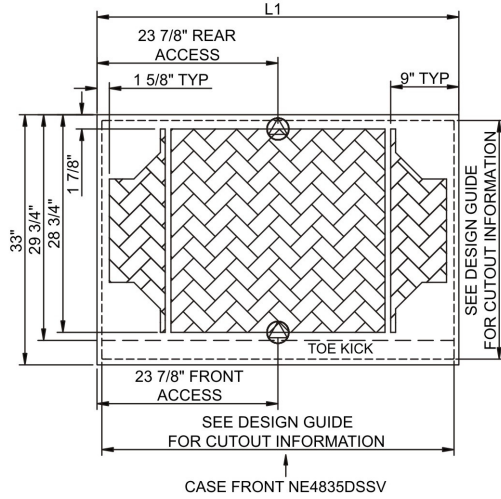
Reveal®

Product Specifications

Intended Environment: Type I - Designed to operate in ambient conditions of 75°F with 55% relative humidity unless noted otherwise in system information below.		Warmest Avg Prod Temp ° F
Zone	Intended Product To Be Displayed	Ambient
All	Packaged non-refrigerated products	

PLAN VIEW

SIDE VIEW



NOTE: ALL DIMENSIONS APPROXIMATE

- ELECTRICAL JUNCTION BOX (SUPPLIED WITH 6" LEADS OR POWER CORD).
- LOCATION OF DRAIN TUBE FOR REMOTE REF. ONLY (SUPPLIED WITH 3/4" OR 1 1/2" PVC TUBE).

- REFRIGERATION LINE CONNECTION.
- REMOTE FLOOR SINK & UTILITIES ACCESS AREA.

- SELF-CONTAINED CASE SERVICE ACCESS AREA.
- DRY CASE SERVICE ACCESS AREA.

Model Technical Specifications															
Model	L"	L1"	L2"	System Circuit Volts		Phs	Freq	Amps ***	Watts	Wires	NEMA Plug	SST	BTUH	Est Wt	
NE3635DSSV	N/A	35.75	.00	Ambient	Circuit #1	110-120	1	60	0.70	15	2+G	5-15P or L5-15P	N/A	N/A	750
NE4835DSSV	N/A	47.75	.00	Ambient	Circuit #1	110-120	1	60	0.70	22	2+G	5-15P or L5-15P	N/A	N/A	830

*** Does not include electric defrost on freezer models.

Important Notes:

- 1) ELECTRICAL NOTE: If GFCI is required, a GFCI breaker MUST be used in lieu of a GFCI receptacle
- 2) 19.25" minimum space required beneath counter surface.

Regulatory Approvals:

All Models ETL Listed to UL 65
ETL Sanitation to NSF 2

