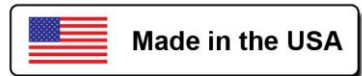




JOB:
ITEM:
QTY:



CRISPING BASKET DOLLY

APPLICATION:

This dolly is specifically designed to hold and transport large loads in a crisping basket. The crisping basket is sold separately.

MATERIAL:

Framework is constructed of 1 1/2"x1 1/2" x.1875" wall angle. Aluminum hook for a drag hook is welded onto the frame and is constructed out of 3/8" aluminum rod.

CASTERS:

This dolly comes equipped with four 5" platform type casters, two rigid and two swivel.

GUARANTEE:

This dolly carries a **Lifetime Guarantee** against rust and corrosion and also carries a **Five-Year Guarantee** against workmanship and material defects.

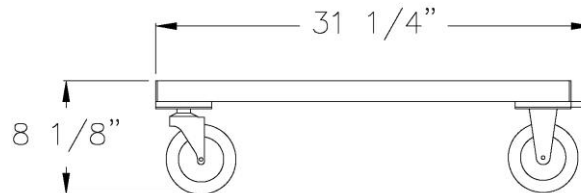
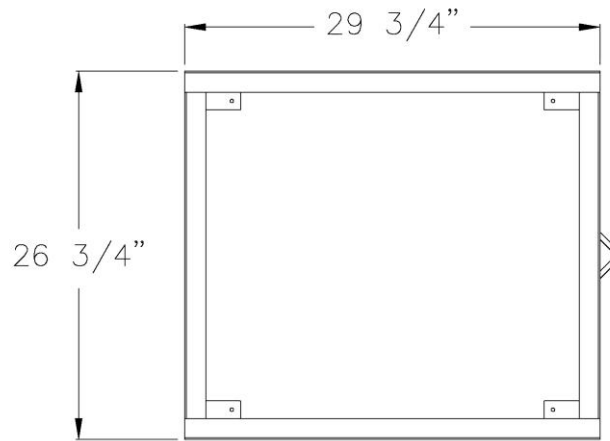


Model #NS926



Phone:800-255-0104
Fax: 877-877-7687
www.newageindustrial.com
sales@newageindustrial.com

New Age Industrial reserves the right to modify or make changes at any time without notice to materials and specifications.



Model #NS926

Model No.	Size-W	Size-H	Size-D
NS926	26 3/4"	8 1/8"	31 1/4"
Crisping Baskets-Sold Separately			
0307	26"	9"	29"



Phone: 800-255-0104
 Fax: 877-877-7687
www.newageindustrial.com
sales@newageindustrial.com

New Age Industrial reserves the right to modify or make changes at any time without notice to materials and specifications.