



JOB:
ITEM:
QTY:



FRY THAW CART

APPLICATION:

These carts are specifically designed to hold fry baskets in or out of the freezer. Available in double or triple basket widths.

MATERIAL:

Framework is constructed of 1 1/4"x 1 1/4"x .070" wall tubing. Baskets hang on laterals that are constructed of 3/8" diameter aluminum rod. Removable drip pan is constructed out of .063" aluminum sheet.

CASTERS:

These carts come equipped with four 3" platform type swivel casters.

GUARANTEE:

These carts carry a **Lifetime Guarantee** against rust and corrosion and also carry a **Five-Year Guarantee** against workmanship and material defects.

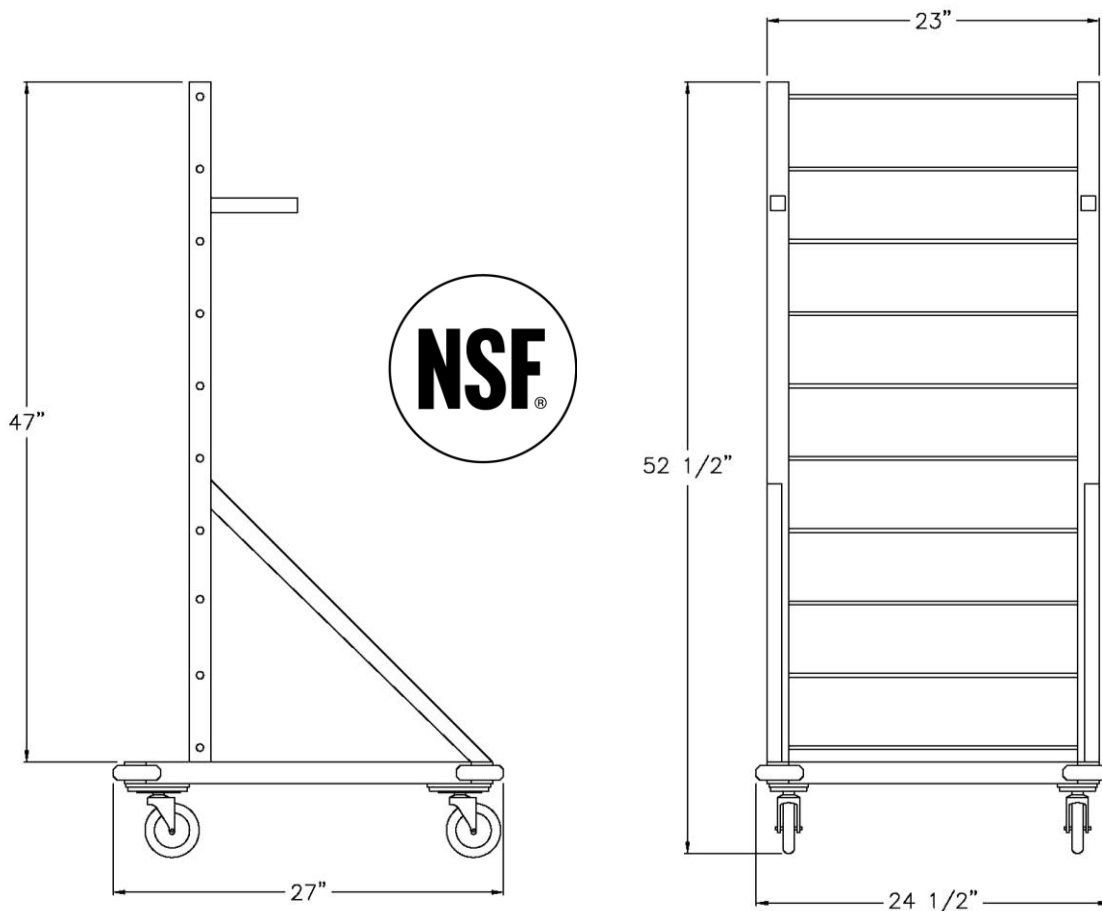


Model #1210



Phone: 800-255-0104
Fax: 877-877-7687
www.newageindustrial.com
sales@newageindustrial.com

New Age Industrial reserves the right to modify or make changes at any time without notice to materials and specifications.



Model #1215

Model No.	Size-W	Size-H	Size-D	Basket Cap.
1210	18"	52 1/2"	27"	18
1215	24 1/2"	52 1/2"	27"	27



Phone: 800-255-0104
 Fax: 877-877-7687
www.newageindustrial.com
sales@newageindustrial.com

New Age Industrial reserves the right to modify or make changes at any time without notice to materials and specifications.