



JOB:  
ITEM:  
QTY:



## MILK CRATE DOLLIES

### APPLICATION:

These dollies are specifically designed to store and transport 13"x13" milk crates. This allows for more efficient transporting from the trucks to the coolers.

### MATERIAL:

Framework is constructed out of 1 1/4"x 1 1/2"x.070" wall tubing with a 15/16" leg to create a lip to hold crates in place. The frame on the #1622 is reinforced with two supports that are 1 1/4"x1 1/2"x.070" wall tubing.

### CASTERS:

These dollies come equipped with four 5" platform type swivel casters.

### GUARANTEE:

These racks carry a **Lifetime Guarantee** against rust and corrosion and also carry a **Five-Year Guarantee** against workmanship and material defects.

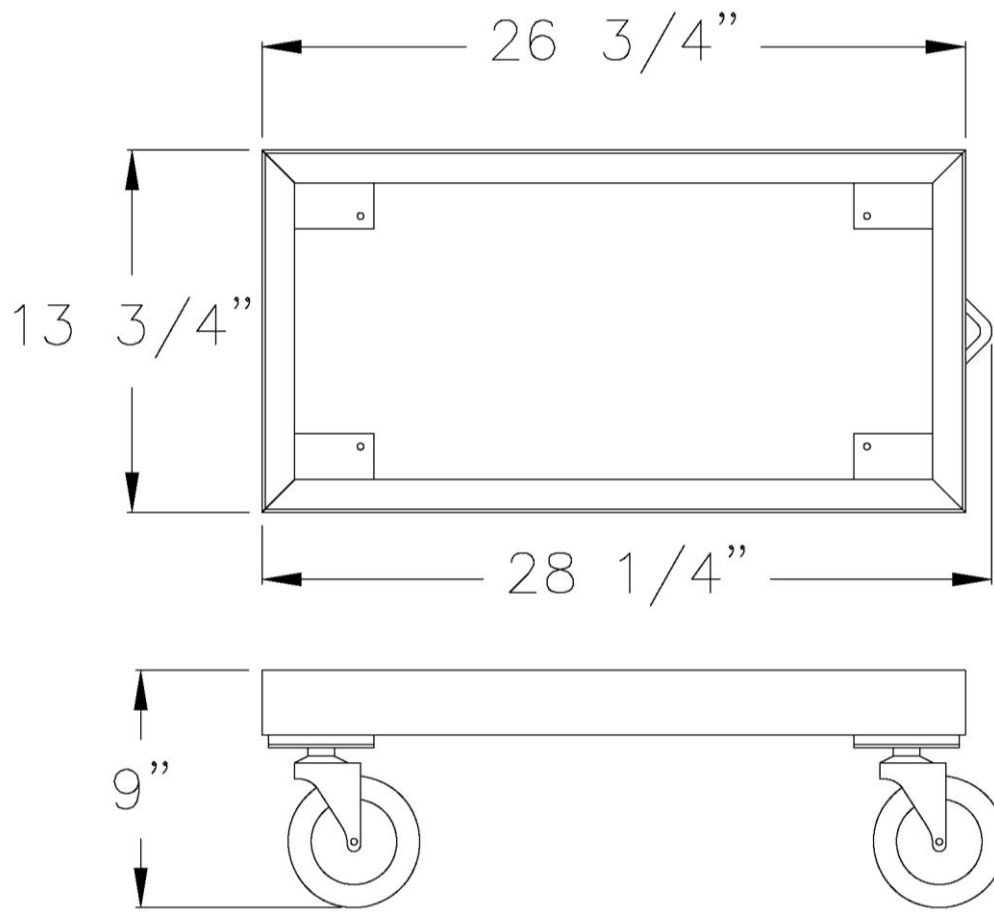


**Model #1622**



Phone:800-255-0104  
Fax: 877-877-7687  
[www.newageindustrial.com](http://www.newageindustrial.com)  
[sales@newageindustrial.com](mailto:sales@newageindustrial.com)

New Age Industrial reserves the right to modify or make changes at any time without notice to materials and specifications.



**Model #1620**

Model No.	Size-W	Size-H	Size-D	No. of Stacks	Crate Cap.
1620	13 3/4"	9"	28 1/4"	2	8
1622	26 3/4"	9"	28 1/4"	4	16
<b>Aluminum Drag Hook</b>					
1199			34 1/2" Long		



Phone: 800-255-0104  
 Fax: 877-877-7687  
[www.newageindustrial.com](http://www.newageindustrial.com)  
[sales@newageindustrial.com](mailto:sales@newageindustrial.com)

New Age Industrial reserves the right to modify or make changes at any time without notice to materials and specifications.