

Job: _____

Item: _____

Quantity: _____

Stainless Steel Top Tables

- All the strength and durability of stainless steel at the cost of aluminum.
- Easy to clean top and frame.
- Ideal for food preparation, units are available with removable 16 G.A. type 304 stainless steel tops.
- Easily adjustable safety feet provide added stability and easy leveling.
- All models are shipped knocked down to reduce freight charges and damages.
- 36" Deep sizes are available
– *Contact The Factory For Pricing.*
- Optional aluminum undershelves available for all models.
- Five-Year Guarantee against material defects and workmanship.
- Lifetime Guarantee against rust and corrosion.
- NSF Certified.



Solid Stainless Steel Top



**Stainless Steel Top
With Backsplash**



**Stainless Steel Top
w/ Backsplash & Undershelf**

This information is for general sales and engineering use only. New Age Industrial reserves the right to modify or make changes at any time without notice to materials and specifications.



Distributed by:

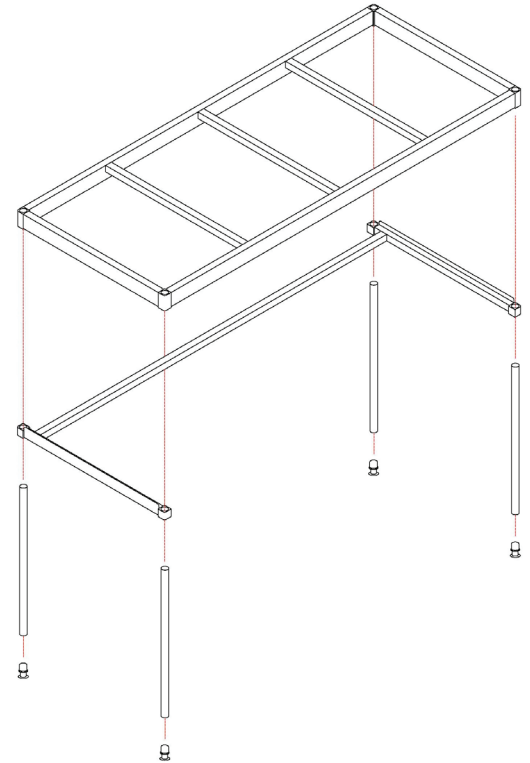
Job: _____

Item: _____

Quantity: _____

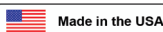
Stainless Steel Top Tables

- Framework is constructed out of 1½" x 1½" x .070" wall tubing.
- Front and back of the top has 1½" x 3⅛" x .070" wall tubing.
- Table legs are constructed out of 1½" diameter pipe.
- Table tops are constructed out of 16 G.A. Type 304 stainless steel.
- Each table comes equipped with a mounting bracket for boat racks.
- Equipped with four NSF certified adjustable feet.
- Five-Year Guarantee against material defects and workmanship.
- Lifetime Guarantee against rust and corrosion.
- NSF Certified.



Model No.	Size D-H-L	Ship Wt.	Model No. Undershef	Ship Wt.
SOLID STAINLESS STEEL TOP (No Backsplash)				
24SS36KD	24" x 35½" x 36"	45#	24US36KD	8#
24SS48KD	24" x 35½" x 48"	54#	24US48KD	11#
24SS60KD	24" x 35½" x 60"	63#	24US60KD	14#
24SS72KD	24" x 35½" x 72"	71#	24US72KD	16#
24SS84KD	24" x 35½" x 84"	79#	24US84KD	19#
24SS96KD	24" x 35½" x 96"	88#	24US96KD	22#
30SS36KD	30" x 35½" x 36"	51#	30US36KD	10#
30SS48KD	30" x 35½" x 48"	61#	30US48KD	13#
30SS60KD	30" x 35½" x 60"	71#	30US60KD	17#
30SS72KD	30" x 35½" x 72"	81#	30US72KD	20#
30SS84KD	30" x 35½" x 84"	91#	30US84KD	23#
30SS96KD	30" x 35½" x 96"	101#	30US96KD	27#
STAINLESS STEEL TOP WITH 6" BACKSPLASH				
24SSB36KD	24" x 35½" x 36"	49#	24US36KD	8#
24SSB48KD	24" x 35½" x 48"	58#	24US48KD	11#
24SSB60KD	24" x 35½" x 60"	69#	24US60KD	14#
24SSB72KD	24" x 35½" x 72"	76#	24US72KD	16#
24SSB84KD	24" x 35½" x 84"	85#	24US84KD	19#
24SSB96KD	24" x 35½" x 96"	95#	24US96KD	22#
30SSB36KD	30" x 35½" x 36"	55#	30US36KD	10#
30SSB48KD	30" x 35½" x 48"	65#	30US48KD	13#
30SSB60KD	30" x 35½" x 60"	76#	30US60KD	17#
30SSB72KD	30" x 35½" x 72"	86#	30US72KD	20#
30SSB84KD	30" x 35½" x 84"	98#	30US84KD	23#
30SSB96KD	30" x 35½" x 96"	108#	30US96KD	27#

This information is for general sales and engineering use only. New Age Industrial reserves the right to modify or make changes at any time without notice to materials and specifications.



Distributed by: