

Job: \_\_\_\_\_

Item: \_\_\_\_\_

Quantity: \_\_\_\_\_

## Dunnage Racks -- 6000 Series

### APPLICATION:

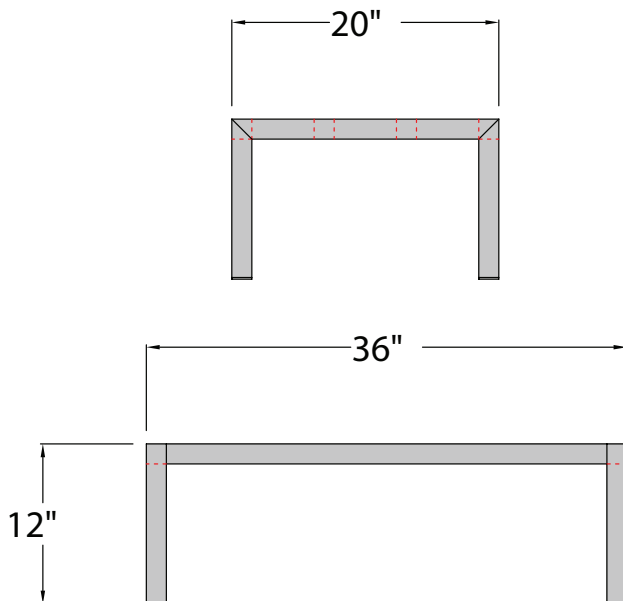
- All welded all aluminum design is great for keeping product organized and off the floor.

### MATERIAL:

- Framework is constructed of 1½" x 1½" x.070" wall tubing.
- The legs are sealed with plastic caps.

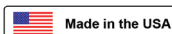
### GUARANTEE:

- One-Year Guarantee against material defects and workmanship.
- Lifetime Guarantee against rust and corrosion.



Model No.	# of Lat.	Wt. Cap.	Size D-H-L	Ship Wt.
6017	4	2000#	20" x 8" x 36"	8#
6018	4	2000#	20" x 8" x 48"	10#
6019	4	1500#	20" x 8" x 60"	12#
6004	4	2000#	20" x 12" x 36"	8#
6005	4	2000#	20" x 12" x 48"	10#
6006	4	1500#	20" x 12" x 60"	12#
6014	5	2000#	24" x 8" x 36"	9#
6015	5	2000#	24" x 8" x 48"	12#
6016	5	1500#	24" x 8" x 60"	14#
6008	5	2000#	24" x 12" x 36"	10#
6009	5	2000#	24" x 12" x 48"	12#
6010	5	1500#	24" x 12" x 60"	15#

*This information is for general sales and engineering use only. New Age Industrial reserves the right to modify or make changes at any time without notice to materials and specifications.*



Distributed by: