



JOB:
ITEM:
QTY:



MOBILE CUP/GLASS RACK

APPLICATION:

Ideal for transporting and storing cups and glassware from the service area to the back room. This cart eliminates the stacking and re-stacking of baskets by allowing quick, easy access to all dish baskets simultaneously. Organize product and make more space for storage in back rooms or coolers.

MATERIAL:

Framework is constructed out of 1"x1"x.070" wall tubing. Angle runners are 1 1/4"x1 5/8"x.070" wall. Uprights are reinforced to help prevent breakage from the stem type casters.

CASTERS:

Model #NS345 and #93037 come with four 5" stem type swivel casters. Model #97142 comes with four 5" platform type swivel casters.

GUARANTEE:

These racks carry a **Lifetime Guarantee** against rust and corrosion and also carry a **Five-Year Guarantee** against workmanship and material defects.

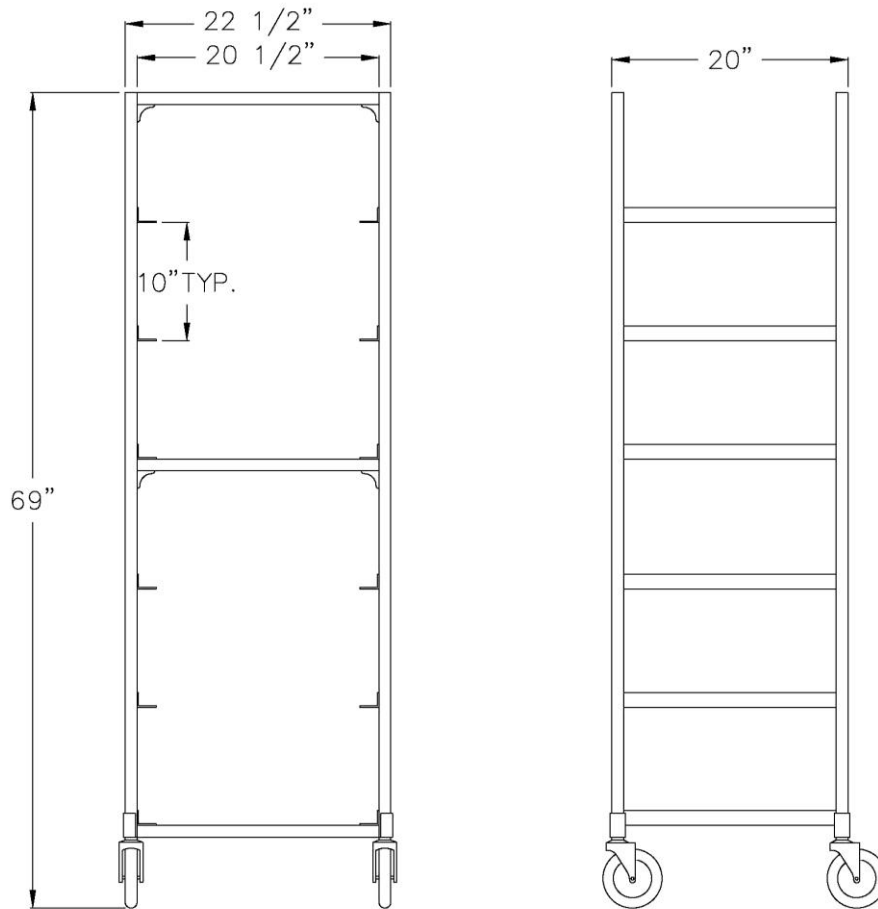


Model #NS345



Phone: 800-255-0104
Fax: 877-877-7687
www.newageindustrial.com
sales@newageindustrial.com

New Age Industrial reserves the right to modify or make changes at any time without notice to materials and specifications.



Model #93037

Model No.	Size-W	Size-H	Size-D	Runner Spacing	Tray Cap.
STEM CASTERS					
NS345	23 1/2"	65"	20 1/2"	7"	8
93037	23 1/2"	69"	20 1/2"	10"	6
PLATFORM CASTERS					
97142	22 1/2"	63 3/4"	20"	6"	9



Phone: 800-255-0104
 Fax: 877-877-7687
www.newageindustrial.com
sales@newageindustrial.com

New Age Industrial reserves the right to modify or make changes at any time without notice to materials and specifications.