



JOB:  
ITEM:  
QTY:



# REFRIGERATOR/PROOFER RACK- RAC LINE

## APPLICATION:

These racks are specifically designed for a roll-in application such as, refrigerators, freezers, and warming cabinets. These racks accommodate 13"x18", 14"x18", and 18"x26" pans.

## MATERIAL:

Framework is constructed of 1"x1"x.070" wall tubing. Angle runners on the racks are 1 1/8"x1 1/2"x.070" wall angle.

## CASTERS:

These racks come equipped with four 5" stem type swivel casters.

## GUARANTEE:

These racks carry a **Lifetime Guarantee** against rust and corrosion and also a **One-Year Guarantee** against workmanship and material defects.

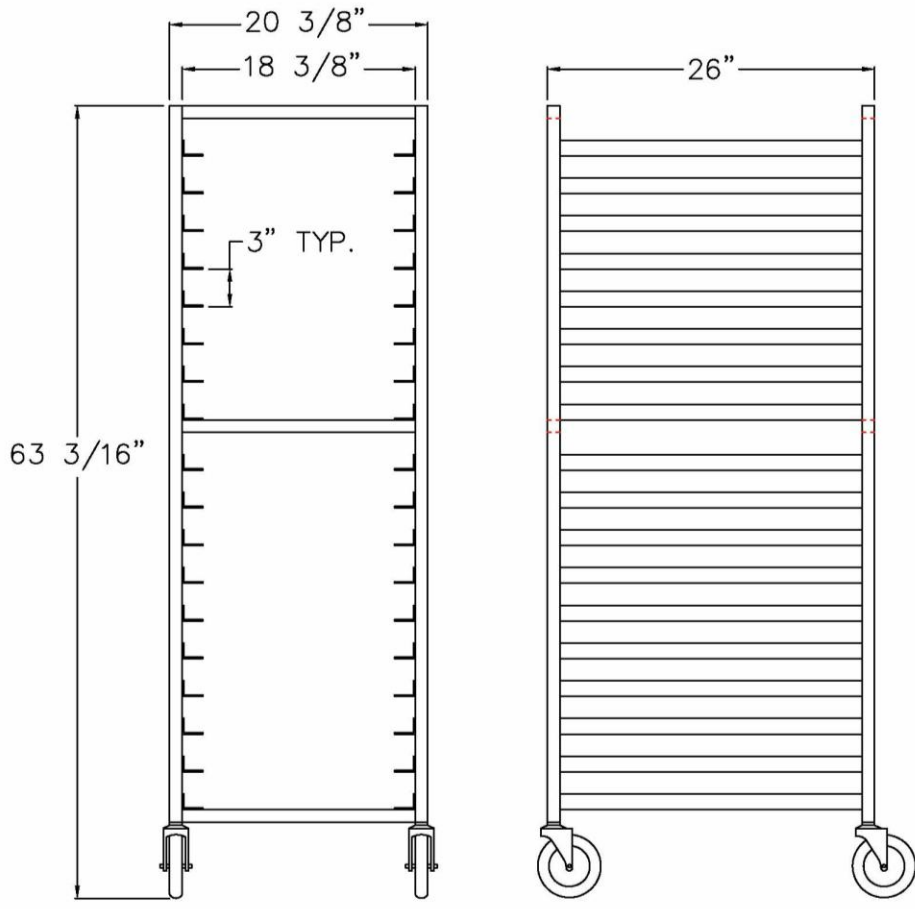


Model #95864



Phone:800-255-0104  
Fax: 877-877-7687  
[www.newageindustrial.com](http://www.newageindustrial.com)  
[sales@newageindustrial.com](mailto:sales@newageindustrial.com)

New Age Industrial reserves the right to modify or make changes at any time without notice to materials and specifications.



**Model #95864**

Model No.	Size-W	Size-H	Size-D	Pan Cap.	Runner Spacing
95864	20 3/8"	63 3/16"	26"	18	3"



Phone: 800-255-0104  
 Fax: 877-877-7687  
[www.newageindustrial.com](http://www.newageindustrial.com)  
[sales@newageindustrial.com](mailto:sales@newageindustrial.com)

New Age Industrial reserves the right to modify or make changes at any time without notice to materials and specifications.