



JOB:  
ITEM:  
QTY:



# ANGLE-LEDGE TRANSPORT CABINET

## APPLICATION:

Ideal cabinet for food delivery and storage. Solid side panels are composed of interlocking aluminum extrusions with guides spaced on 5" centers for taller items.

## MATERIAL:

Framework is constructed out of 1"x2 1/2"x.125" wall channel. Angle runners are constructed out of 1 1/4"x1 5/8"x.070" wall angle. These units come equipped with a heavy-duty base and a reinforced door.

## CASTERS:

These cabinets come equipped with four 5" platform type swivel casters.

## GUARANTEE:

These cabinets carry a **Lifetime Guarantee** against rust and corrosion and also carry a **Five-Year Guarantee** against workmanship and material defects.

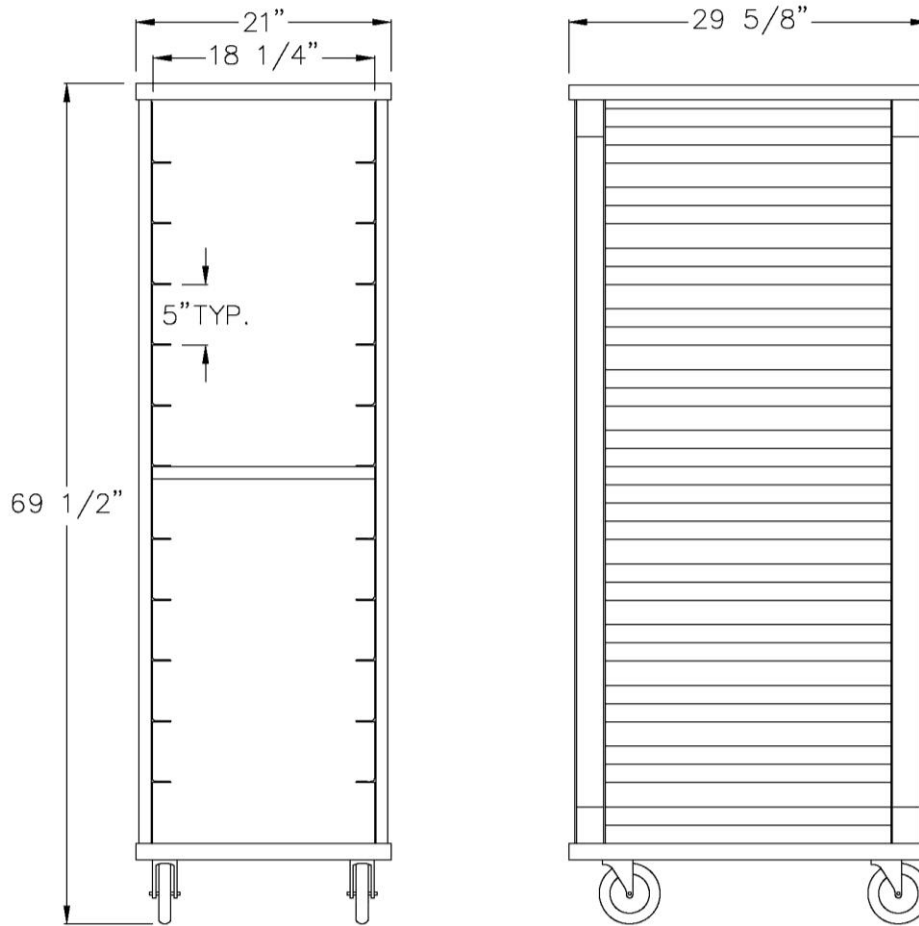


Model #97718



Phone: 800-255-0104  
Fax: 877-877-7687  
[www.newageindustrial.com](http://www.newageindustrial.com)  
[sales@newageindustrial.com](mailto:sales@newageindustrial.com)

New Age Industrial reserves the right to modify or make changes at any time without notice to materials and specifications.



**Model #97243**

Model No.	Size-W	Size-H	Size-D	Runner Spacing	H.D. Base	Reinforced Door
97243	21"	69 1/2"	29 5/8"	5"	Yes	Yes
97718	21"	69 1/2"	29 5/8"	3"	Yes	Yes



Phone: 800-255-0104  
 Fax: 877-877-7687  
[www.newageindustrial.com](http://www.newageindustrial.com)  
[sales@newageindustrial.com](mailto:sales@newageindustrial.com)

New Age Industrial reserves the right to modify or make changes at any time without notice to materials and specifications.