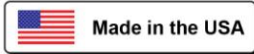




JOB:
ITEM:
QTY:



15" X 20" TRAY RACKS

APPLICATION:

These racks are specially designed to hold 15" x 20" trays. The rack holds the trays by the bottom to insure an equal load distribution.

MATERIAL:

The framework of these racks are constructed of 1" x 1" x .070 wall tubing. Angle slides are 1 1/4" x 2" x .100" wall angle. This rack is all aluminum, all welded, for a rigid design.

CASTERS:

Stem type, 5" diameter wheel, full swivel design. Wheel material is non-marking.

GUARANTEE:

Guaranteed to last, each rack carries a **Lifetime Guarantee** against rust and corrosion as well as a **Five-Year Guarantee** against material defects and workmanship.

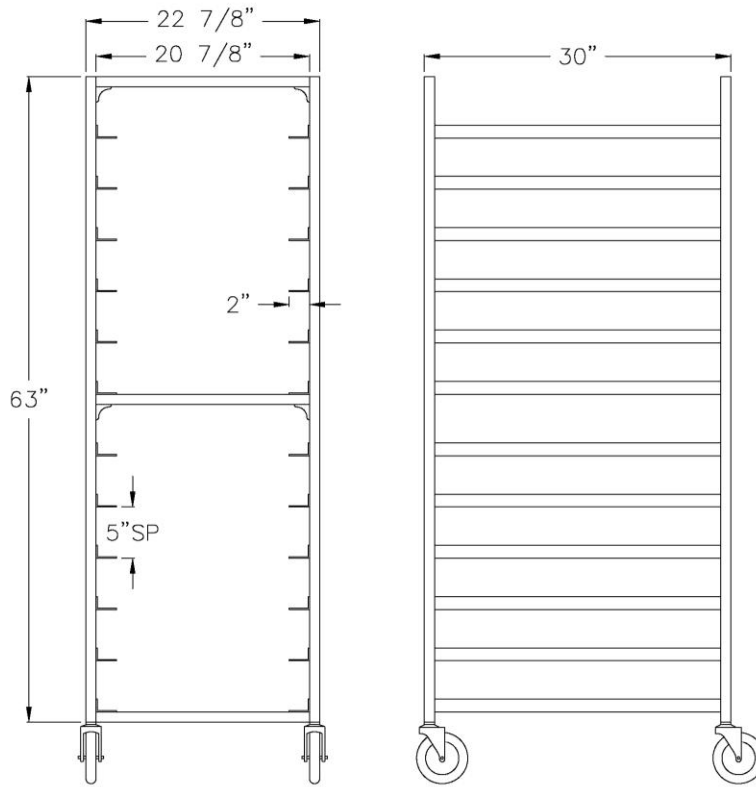


MODEL #NS832



Phone: 800-255-0104
Fax: 877-877-7687
www.newageindustrial.com
sales@newageindustrial.com

New Age Industrial reserves the right to modify or make changes at any time without notice to materials and specifications.



MODEL #NS833

Model No.	Size-W	Size-H	Size-D	Runner Spacing	Pan Cap.
Side Loading Unit					
NS833	23 1/8"	69"	30 1/2"	5" TYP.	24
End Loading Unit					
NS832	17 7/8"	69"	21"	5" TYP.	12
Side Loading Unit-Double Deep with Stainless Steel Top					
NS834	23 1/8"	38"	30"	5" TYP.	12
Side Loading Unit-Doube Deep, No Top					
NS834A	23 1/8"	38"	30"	5" TYP.	12



Phone: 800-255-0104
 Fax: 877-877-7687
www.newageindustrial.com
sales@newageindustrial.com

New Age Industrial reserves the right to modify or make changes at any time without notice to materials and specifications.