

### Non-Refrigerated Service Countertop Case

- NR3613DSV
- NR4813DSV

Lengths include end panels  
 35-3/4"L x 32-5/8"D x 13-5/8"H  
 47-3/4"L x 32-5/8"D x 13-5/8"H



#### STANDARD FEATURES

- NOTE: Contact Factory for lead time
- LED top light
- One year parts & labor warranty
- Vertical, fixed front & side uv bonded frameless glass

Features	Standard	Options
<b>EXTERIOR COLOR</b>	<input type="checkbox"/> Black	<input type="checkbox"/> Painted (non-stock colors, specify RAL#) <input type="checkbox"/> Painted (stock colors, specify RAL#) <input type="checkbox"/> Stainless steel
<b>INTERIOR COLOR</b>	<input type="checkbox"/> Black	<input type="checkbox"/> NOTE: Interior color must be FDA & NSF approved <input type="checkbox"/> Painted (stock colors, specify RAL#) <input type="checkbox"/> Stainless steel
<b>UPPER REAR</b>	<input type="checkbox"/> Clear glass rear sliding doors	<input type="checkbox"/> Reflective glass rear sliding doors
<b>LIGHTS</b>	<input type="checkbox"/> LED 3500K w/ frosted lens	<input type="checkbox"/> LED 3000K w/ frosted lens <input type="checkbox"/> LED 4000K w/ frosted lens
<b>ELECTRICAL CONNECT</b>	<input type="checkbox"/> 12" straight blade power cord	<input type="checkbox"/> 12" locking power cord <input type="checkbox"/> Electrical leads (non-refrigerated)
<b>MISCELLANEOUS</b>		<input type="checkbox"/> Rear door lock <input type="checkbox"/> Second year parts & labor warranty

# Reveal®

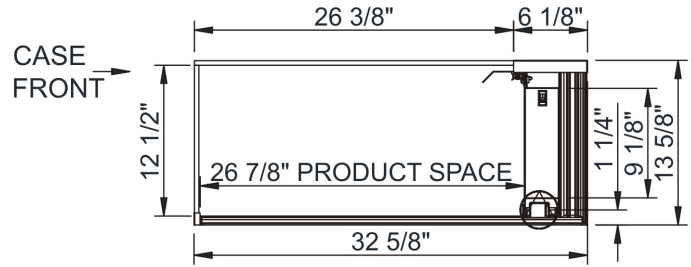
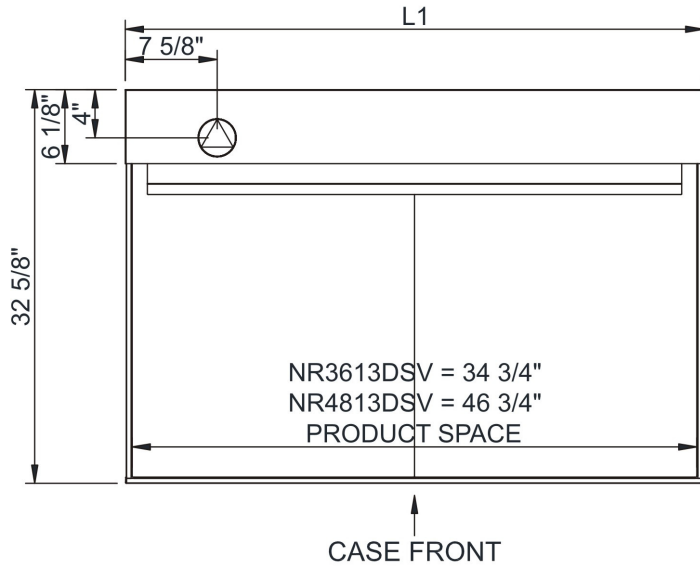
## Product Specifications

<b>Intended Environment:</b> Type I - Designed to operate in ambient conditions of 75°F with 55% relative humidity unless noted otherwise in system information below.	
<b>Zone</b>	<b>Intended Product To Be Displayed</b>
All	Unpackaged non-refrigerated products
<b>Warmest Avg Prod Temp ° F</b>	
Ambient	

REAR VIEW

PLAN VIEW

SIDE VIEW



NOTE: ALL DIMENSIONS APPROXIMATE

- ELECTRICAL JUNCTION BOX (SUPPLIED WITH 6" LEADS OR POWER CORD).
- LOCATION OF DRAIN TUBE FOR REMOTE REF. ONLY (SUPPLIED WITH 3/4" OR 1 1/2" PVC TUBE).

- REFRIGERATION LINE CONNECTION.
- REMOTE FLOOR SINK & UTILITIES ACCESS AREA.

- SELF-CONTAINED CASE SERVICE ACCESS AREA.
- DRY CASE SERVICE ACCESS AREA.

Model Technical Specifications															
Model	L"	L1"	L2"	System	Circuit Volts	Phs	Freq	Amps ***	Watts	Wires	NEMA Plug	SST	BTUH	Est Wt	
NR3613DSV	N/A	35.75	.00	Ambient	Circuit #1	110-120	1	60	0.70	4	2+G	5-15P or L5-15P	N/A	N/A	385
NR4813DSV	N/A	47.75	.00	Ambient	Circuit #1	110-120	1	60	0.70	6	2+G	5-15P or L5-15P	N/A	N/A	435

\*\*\* Does not include electric defrost on freezer models.

### Important Notes:

- 1) ELECTRICAL NOTE: If GFCI is required, a GFCI breaker MUST be used in lieu of a GFCI receptacle

### Regulatory Approvals:

All Models ETL Listed to UL 65  
ETL Sanitation to NSF 2

