

Non-Refrigerated Self-Service Case

- NR3633DSSV
- NR4833DSSV

Lengths include end panels
 35-3/4"L x 33"D x 32-7/8"H
 47-3/4"L x 33"D x 32-7/8"H



STANDARD FEATURES

- NOTE: Contact Factory for lead time
- LED top light
- One piece formed ABS plastic tub
- One year parts & labor warranty

Features	Standard	Options
EXTERIOR COLOR	<input type="checkbox"/> Black	<input type="checkbox"/> Painted (non-stock colors, specify RAL#) <input type="checkbox"/> Painted (stock colors, specify RAL#) <input type="checkbox"/> Stainless steel
INTERIOR COLOR	<input type="checkbox"/> Black	<input type="checkbox"/> NOTE: Interior color must be FDA & NSF approved <input type="checkbox"/> Painted (stock colors, specify RAL#) <input type="checkbox"/> Stainless steel
PANEL EXTERIOR	<input type="checkbox"/> Laminated (non-premium) Confirm pattern/grain direction	<input type="checkbox"/> Laminated (premium) Confirm pattern/grain direction <input type="checkbox"/> Stainless steel
BASE SUPPORT	<input type="checkbox"/> Adjustable, locking casters (n/a w/ remote ref.)	<input type="checkbox"/> 6"H stainless steel legs
END PANEL LEFT	<input type="checkbox"/> Full end panel	<input type="checkbox"/> No end panel
END PANEL RIGHT	<input type="checkbox"/> Full end panel	<input type="checkbox"/> No end panel
LOWER FRONT PANEL	<input type="checkbox"/> Black	<input type="checkbox"/> Painted (stock colors, specify RAL#) <input type="checkbox"/> Stainless steel
LOWER REAR PANEL	<input type="checkbox"/> Black	<input type="checkbox"/> Painted (stock colors, specify RAL#) <input type="checkbox"/> Stainless steel
UPPER REAR	<input type="checkbox"/> Solid back panel	<input type="checkbox"/> Clear glass rear sliding doors <input type="checkbox"/> Reflective glass rear sliding doors
LIGHTS	<input type="checkbox"/> LED 3500K w/ frosted lens	<input type="checkbox"/> LED 3000K w/ frosted lens <input type="checkbox"/> LED 4000K w/ frosted lens
ELECTRICAL CONNECT	<input type="checkbox"/> 12" straight blade power cord	<input type="checkbox"/> 12" locking power cord <input type="checkbox"/> Electrical leads (non-refrigerated)
MISCELLANEOUS		<input checked="" type="checkbox"/> 14.5" Base height extension <input type="checkbox"/> Rear door lock <input type="checkbox"/> Second year parts & labor warranty
ACCESSORIES		<input type="checkbox"/> Clear acrylic security cover, removable, locking

Option Notes: 1 - Cannot be combined w/ 6"H legs

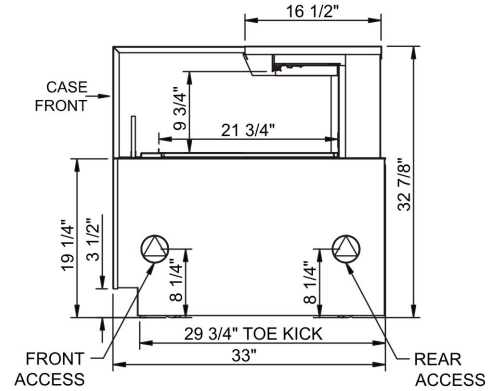
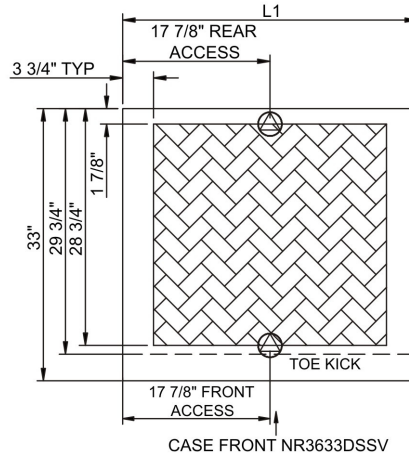
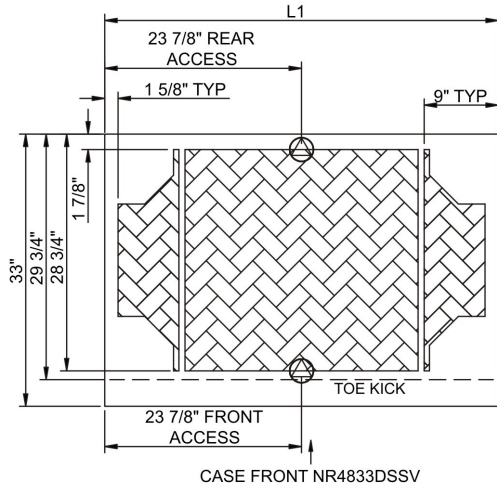
Reveal®

Product Specifications

Intended Environment: Type I - Designed to operate in ambient conditions of 75°F with 55% relative humidity unless noted otherwise in system information below.	
Zone	Intended Product To Be Displayed
All	Packaged non-refrigerated products
Warmest Avg Prod Temp ° F	
Ambient	

PLAN VIEW

SIDE VIEW



NOTE: ALL DIMENSIONS APPROXIMATE

- ELECTRICAL JUNCTION BOX (SUPPLIED WITH 6" LEADS OR POWER CORD).
- LOCATION OF DRAIN TUBE FOR REMOTE REF. ONLY (SUPPLIED WITH 3/4" OR 1 1/2" PVC TUBE).

- REFRIGERATION LINE CONNECTION.
- REMOTE FLOOR SINK & UTILITIES ACCESS AREA.

- SELF-CONTAINED CASE SERVICE ACCESS AREA.
- DRY CASE SERVICE ACCESS AREA.

Model Technical Specifications															
Model	L"	L1"	L2"	System Circuit Volts	Phs	Freq	Amps ***	Watts	Wires	NEMA Plug	SST	BTUH	Est Wt		
NR3633DSSV	N/A	35.75	.00	Ambient	Circuit #1	110-120	1	60	0.70	4	2+G	5-15P or L5-15P	N/A	N/A	500
NR4833DSSV	N/A	47.75	.00	Ambient	Circuit #1	110-120	1	60	0.70	6	2+G	5-15P or L5-15P	N/A	N/A	600

*** Does not include electric defrost on freezer models.

Important Notes:

- 1) ELECTRICAL NOTE: If GFCI is required, a GFCI breaker MUST be used in lieu of a GFCI receptacle

Regulatory Approvals:

All Models ETL Listed to UL 65
ETL Sanitation to NSF 2

