

General Information

Project Name: _____

Consultant: _____

Item #: _____

Model #: _____

Quantity: _____



OC-CW Model Shown
w/ Sloped Top &
Hinged Doors

Specifications

OC-CW Model Corner Wall Cabinet is constructed of 18GA type 300 series stainless steel body and door. Cabinets are fully welded and brushed to a #4 finish. Standard open front with bottom.

Interior fitted with one (1) 18GA stainless steel fixed intermediate shelf. Optional hinged doors are 18GA stainless steel with pull handles and food grade hinges. Adjustable shelves are available.

Product Guide

IMC Cabinets provide flexibility in designing storage space in the facility. Heavy duty rugged design. Add locks for security.

Corner cabinets are designed to provide efficient storage space for the proper utilization of wall surfaces and corners. They are installed with minimum 1/4" screws into a studded wall or using wood blocks. Optional sizes and accessories are offered.

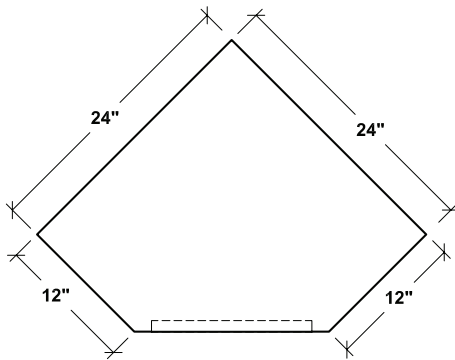
Options

- DRL-2P** - Two Point Door Lock
- PPC-5** - 5" Dia. Swivel Plate Casters with Brakes (4)
- PPC-6** - 5" Dia. Swivel Plate Casters with Brakes (6)
- EXSH** - Extra Shelf (5 Standard)
- FSH** - Fixed Shelves
- TK** - Add Legs in Lieu of Toe Kick
- SECG1-SC** - 1/4" Tempered Glass (Per Door)
- CSGD2** - Center Rail Glass Door (Per Door)
- CHE** - Concealed Hinge/Euro Style Door (Each)
- KEY** - Replacement Keys

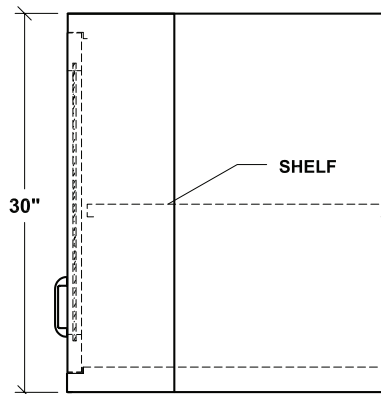


OC-CW-40 0919

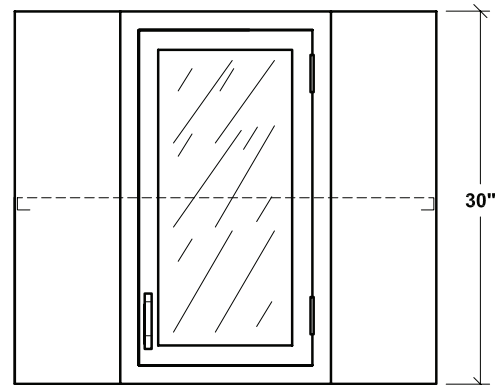
DRAWINGS



Plan



Section



Elevation

CORNER WALL CABINET

Model	Size (W x L x H)	Description
□ OC-CW	30" x 12" x 30"	Open Front
□ OC-CWS	30" x 12" x 30"	Solid Door
□ OC-CWG	30" x 12" x 30"	Glass Door

Specifications subject to change without notice.

OC-CW-40 0919