

SERVING THE FOOD INDUSTRY SINCE 1951



## SANTOS POPPY GRINDER WITH DRAWER

ITEM: 44116 / MODEL: SANTOS 01PV



Traditional sturdy and powerful poppy grinder with drawer. Perfect for shops, supermarkets and bakeries.

### FEATURES:

- Grinding adjustments: Extra fine to extra coarse
- Horizontal axis grinding discs with feeding screw
- Commercial reliable induction motor
- Capacity of the plastic drawer: 800 g
- Average output: 14 kg/hour
- All removable parts are dishwasher safe



Available only in Canada **INTERNATIONALLY PATENTED MODEL**



**WARRANTY**  
PARTS AND LABOR



Authorized Dealer

# FOOD PREPARATION SANTOS POPPY GRINDER WITH DRAWER



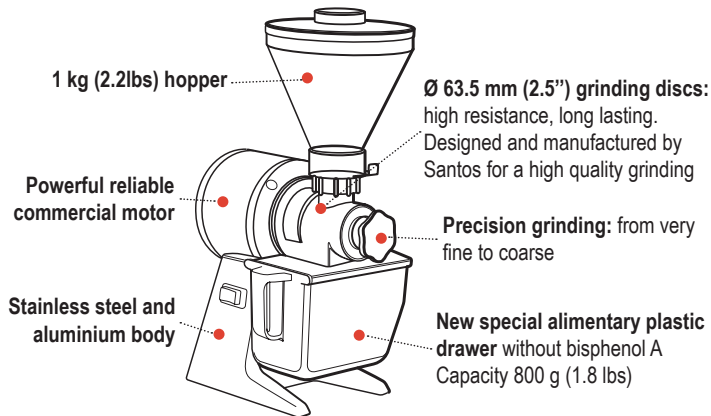
## TECHNICAL SPECIFICATIONS

ITEM	44116
MODEL	Santos 01PV
DESCRIPTION	Stainless steel and aluminium body
ELECTRICAL	110V/60Hz/1Ph
POWER	650w/ 0.87Hp
AMP	5.9
RPM	1800
PRODUCTION	14kg/hour
NET DIMENSIONS	13" x 10" x 22" / 320 x 250 x 550 mm
GROSS DIMENSIONS	12" x 16" x 23" / 300 x 410 x 575 mm
NET WEIGHT	31 lbs/ 14 kg
GROSS WEIGHT	33 lbs/ 15 kg

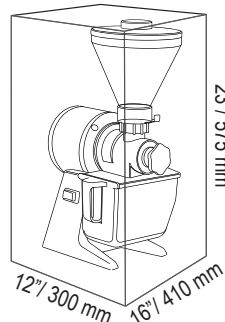
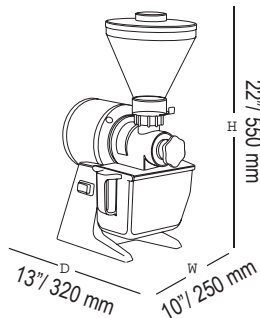
## PARTS



## FEATURES



## DIMENSIONS



1. Bean hopper cover
2. Bean hopper
3. Bean hopper shutter
4. Adjusting dial
5. Adjuster button attachment
6. Grinding wheel gap adjuster button
7. Dial fastening screw
8. Removable drawer
9. Non-slip feet
10. On-off switch
11. Grinding unit clamp
12. Grinding unit
13. Thermal overload switch, with reset

## OMCAN INC.

Telephone: 1-800-465-0234  
 Fax: (905) 607-0234  
 Email: sales@omcan.com  
 Website: www.omcan.com



Follow us to keep up to date with the latest news and offers

