



CONCESSION EQUIPMENT

CENTER OF ALL YOUR FOOD SERVICE NEEDS

5-TIER CHOCOLATE FOUNTAIN

Item: 40381

Model: CF-CN-0005



Perfect for weddings
and any special events



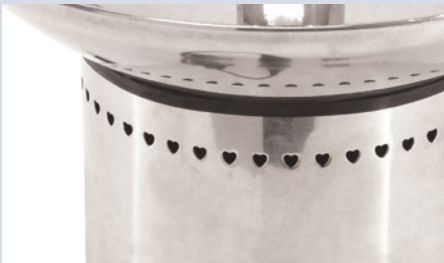
WARRANTY
PARTS AND LABOR



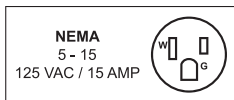
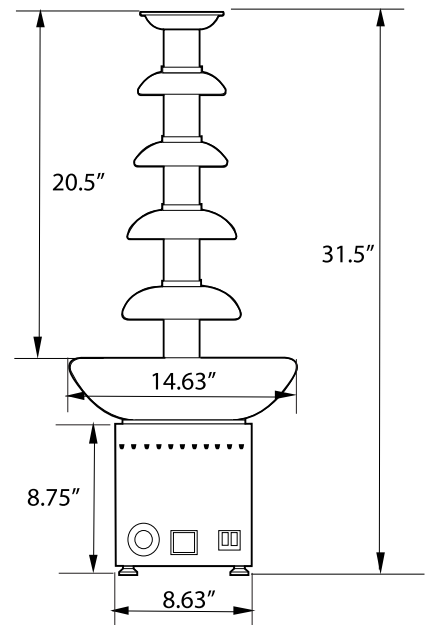
Authorized Dealer

Features & Detail Images

- Made of polished stainless steel
- Easy to operate and clean
- Quickly melts chocolates with adjustable temperature
- Superior quality and designed for continuous use



PRODUCT SPECIFICATIONS	
ITEM NUMBER	40381
MODEL	CF-CN-0005
TEMPERATURE RANGE	30°-150°C / 86-302°F
POWER	215 Watts (Heating) 95 Watts (Motor)
ELECTRICAL	110 V / 60 Hz / 1
CHOCOLATE CAPABILITY	5 kg / 11 lbs.
DIMENSIONS	14.63" / 371.6 mm (Dia.) x 31.5" / 800 mm (H)
WEIGHT	8 kg./ 17.6 lbs.



OMCAN INC.

Telephone: 1-800-465-0234
 Fax: (905) 607-0234
 Email: sales@omcan.com
 Website: www.omcan.com



Follow us to keep up to date with the latest news and offers

