



# FOOD EQUIPMENT

SERVING THE FOOD INDUSTRY SINCE 1951

## COUNTERTOP DISPLAY WARMER

Item: 41868  
Model: DW-CN-0025L

Item: 41870  
Model: DW-CN-0045L



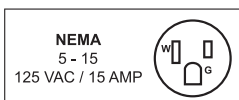
### EXCELLENT DISPLAY WARMER PERFECT FOR SERVING WARM PRODUCTS

Serve your customers fresh, warm products with Omcan's DW-CN-0025L and DW-CN-0045L display warmers. Perfect for convenience stores, cafes, and small delis. They feature stainless steel construction with hinged glass doors. Equipped with adjustable temperature controller to precisely control the best temperature for your foods. Non-adjustable chrome plated shelves included.

Tray not included



**WARRANTY**  
PARTS AND LABOR



Authorized Dealer

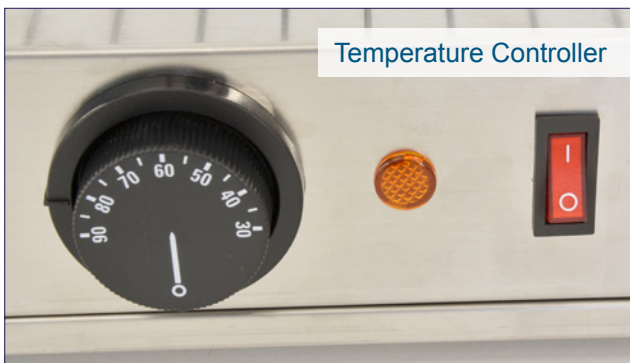
# FOOD EQUIPMENT

COUNTERTOP DISPLAY WARMER DW-CN-0025L | 41868

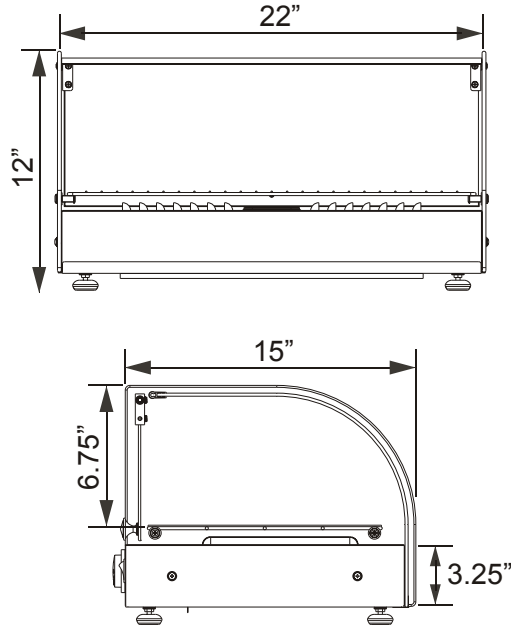


## Features:

- One fixed chrome plated shelves
- Stainless steel construction with hinged glass door
- Temperature Range: 30° - 90°C / 86° - 194°F
- Adjustable temperature controller



## TECHNICAL DRAWING AND DIMENSIONS

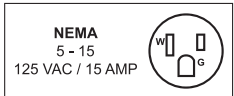


## TECHNICAL SPECIFICATIONS

ITEM NUMBER	41868
MODEL	DW-CN-0025L
TEMPERATURE RANGE	30° - 90°C / 86° - 194°F
STORAGE VOLUME (L)	25 L
RATED CURRENT	6.8A
RATED INPUT POWER	800 Watt
GRADE OF WATERPROOF	IPX4
ELECTRICAL	110V / 60Hz / 1Ph
NET WEIGHT	12 kg./ 26.5 lbs.
GROSS WEIGHT	14 kg./ 31 lbs.
DIMENSIONS	22" x 15" x 12"/ 554 x 376 x 311 mm
PACKAGING DIMENSIONS	18" x 25" x 14.5"/ 457 x 635 x 368 mm



**WARRANTY**  
PARTS AND LABOR



## OMCAN INC.

Telephone: 1-800-465-0234  
Fax: (905) 607-0234  
Email: sales@omcan.com  
Website: www.omcan.com



Follow us to keep up to date with the latest news and offers



2017E&OE

# FOOD EQUIPMENT

COUNTERTOP DISPLAY WARMER DW-CN-0045L | 41870

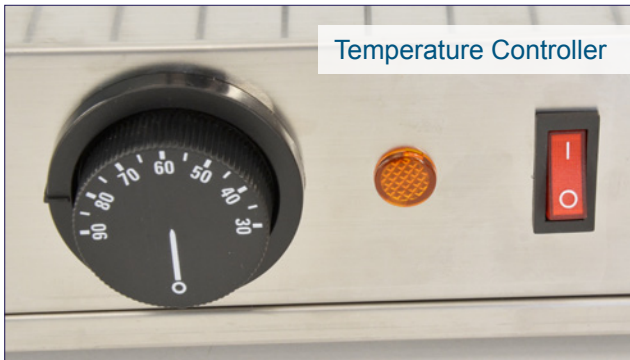


## Features:

- Two fixed chrome plated shelves
- Stainless steel construction with two hinged glass doors
- Temperature Range: 30° - 90°C / 86° - 194°F
- Adjustable temperature controller



Chrome plated shelf

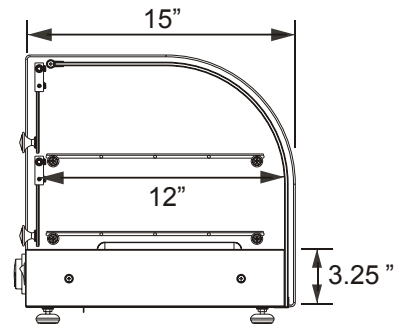
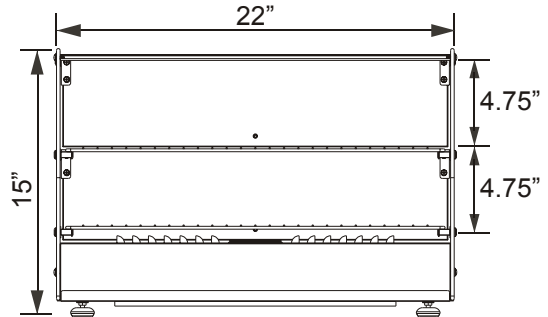


Temperature Controller



Water Bowl

## TECHNICAL DRAWING AND DIMENSIONS

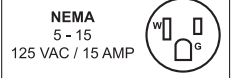


## TECHNICAL SPECIFICATIONS

ITEM NUMBER	41870
MODEL	DW-CN-0045L
TEMPERATURE RANGE	30° - 90°C / 86° - 194°F
STORAGE VOLUME (L)	45 L
RATED CURRENT	6.8A
RATED INPUT POWER	800 Watt
GRADE OF WATERPROOF	IPX4
ELECTRICAL	110V / 60Hz / 1Ph
NET WEIGHT	14 kg./ 31 lbs.
GROSS WEIGHT	16.5 kg./ 36 lbs.
DIMENSIONS	22" x 15" x 15" / 554 x 376 x 376 mm
PACKAGING DIMENSIONS	18" x 25" x 17" / 457 x 635 x 432 mm



**WARRANTY**  
PARTS AND LABOR



## OMCAN INC.

Telephone: 1-800-465-0234  
 Fax: (905) 607-0234  
 Email: sales@omcan.com  
 Website: www.omcan.com



Follow us to keep up to date with the latest news and offers

