



**OUTDOOR EQUIPMENT**

*SERVING THE FOOD INDUSTRY SINCE 1951*



## **COLUMN HEATER**

**Item: 43124**

**Model: PH-CN-1400-P**

**KEEPING YOUR GUESTS WARM IN ANY  
COLD DAYS AND NIGHTS WITH OUR  
SLEEK DESIGNED COLUMN HEATER**



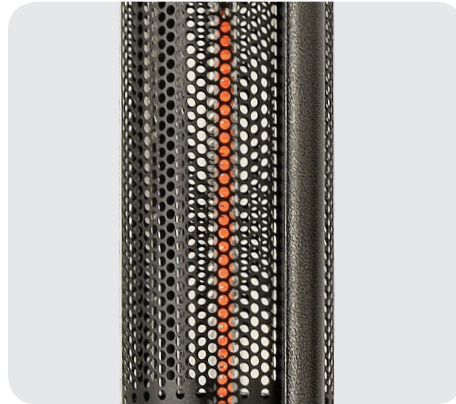
**WARRANTY**  
PARTS AND LABOR



Authorized Dealer

# OUTDOOR EQUIPMENT

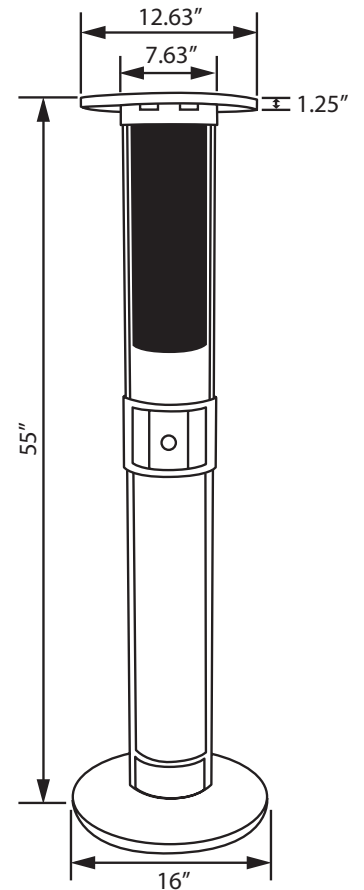
## COLUMN HEATER



### FEATURES

- Powder coated frame
- High Efficiency Carbon Fibre Heating Element
- Power: 1500 Watts
- Two Power Settings (One heating element only)
- Powder Coated Base
- 360-degree tip-over Safety Switch
- IP24 Approved

### TECHNICAL DRAWING WITH DIMENSIONS



### TECHNICAL SPECIFICATION

ITEM NUMBER	43124
MODEL	PH-CN-1400-P
POWER	1.5 kW
ELECTRICAL	120V / 60Hz / 1Ph
DIMENSIONS(DWH)	16" x 16" x 55" / 406 x 406 x 1397 mm
NET WEIGHT	29.92 lbs. / 13.6 kg.
GROSS WEIGHT	39.16 lbs. / 17.8 kg.
GROSS DIMENSIONS	31.10" x 18.50" x 12.59" / 790 x 470 x 320 mm

NEMA  
5 - 15  
125 VAC / 15 AMP

**1 YEAR WARRANTY**  
PARTS AND LABOR

## OMCAN INC.

Telephone: 1-800-465-0234  
 Fax: (905) 607-0234  
 Email: sales@omcan.com  
 Website: www.omcan.com



Follow us to keep up to date with the latest news and offers

