



# REFRIGERATED DISPLAY

SERVING THE FOOD INDUSTRY SINCE 1951

## OPEN REFRIGERATED FLOOR DISPLAY CASE WITH 12.71 CU.FT.

Item: 41465

Model: RS-CN-0360



### Features:

- LED lighting
- Night curtain
- Adjustable shelves
- Casters with two brakes
- Safety glass on each sides
- Digital temperature controller and display
- Ventilated cooling system
- Automatic defrost
- Mesh filter in front of the base



Authorized Dealer



**WARRANTY**  
PARTS AND LABOR

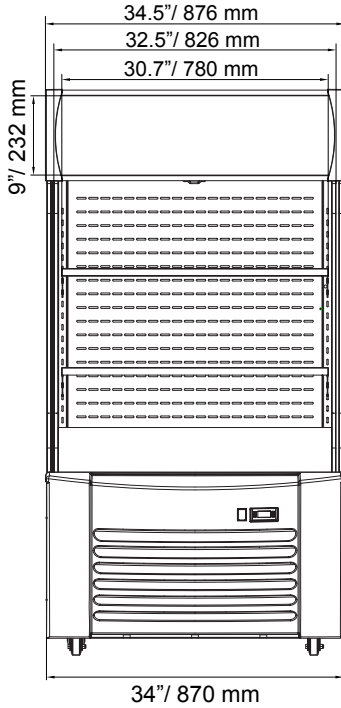


# REFRIGERATED DISPLAY

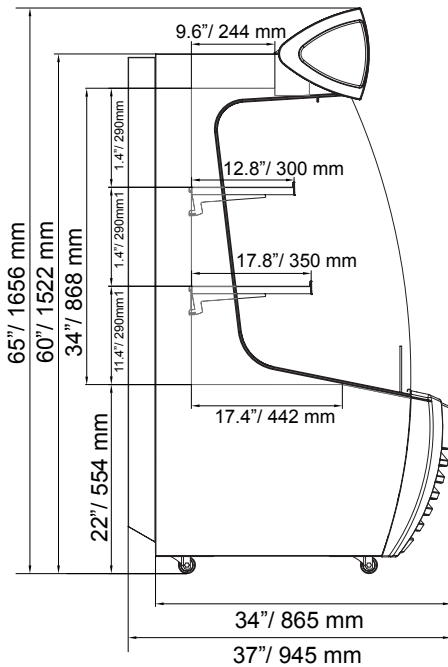
## OPEN REFRIGERATED FLOOR DISPLAY CASE WITH 12.71 CU.FT.



Front

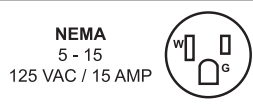


Side



### TECHNICAL SPECIFICATION

ITEM NUMBER	41465	MAX AMBIENT TEMPERATURE/RH	<27°C (80.6°F) / 70%
MODEL	RS-CN-0360	REFRIGERANT & INJECTION	R404a&660
RATED INPUT POWER	1260 W	TYPE OF CLIMATE	6
ELECTRICAL HEATING ELEMENT	400 W	RATED CURRENT	11.6 A
CAPACITY (L / CU. FT.)	360 L / 12.71 cu.ft.	FOAMING AGENT	XPS
ELECTRICAL	110V/60Hz/1	WEIGHT (NET/ GROSS)	126 kg. (277 lbs) / 146 kg (321 lbs)
LAMP POWER (W)	2.8 W x 2(LED)	DIMENSIONS	34.50" x 37" x 65" / 876 x 945 x 1656 mm
TEMPERATURE RANGE	2-10°C / 35.6-50°F	GROSS DIMENSIONS	37.4" x 40.15" x 62.59" / 950 x 1020 x 1590 mm



## OMCAN INC.

Telephone: 1-800-465-0234  
Fax: (905) 607-0234  
Email: sales@omcan.com  
Website: www.omcan.com



Follow us to keep up to date with the latest news and offers

