

# 12" BLENDER STATION WITH SINK



## MODELS

TS Series

TS12BLW

## MODELS

TSD Series

TSD12BLW



## Perlick Features

- Deep drawn stainless steel bowl.
- NSF listed, commercial grade hot/cold water faucet (must be ordered separately).
- Underside is sound-deadened.
- Convenient front-mounted shelf with access hole for electrical cord.
- Stainless steel legs install without tools and have "Rust Free" Thermoplastic feet.



GENERATIONS OF  
EXCELLENCE

Form No. BL01  
Rev. 09.19.2011



8300 West Good Hope Road • Milwaukee, WI 53223 • Phone 414.353.7060 • Fax 414.353.7069  
Toll Free 800.558.5592 • E-Mail [perlick@perlick.com](mailto:perlick@perlick.com) • [www.perlick.com](http://www.perlick.com)

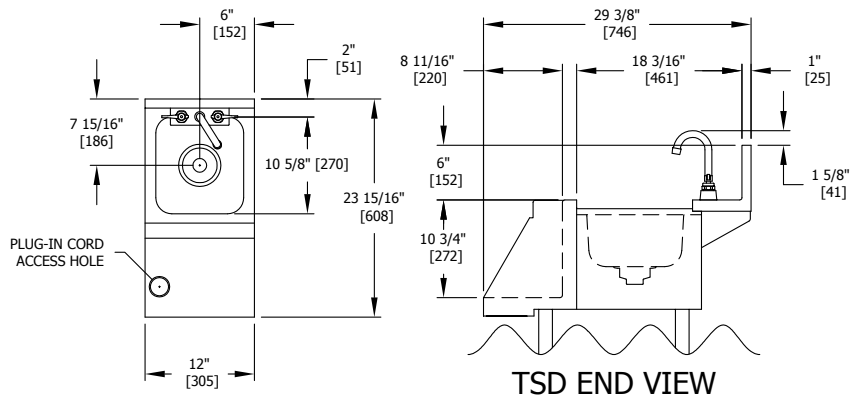
# Size and Specifications

12" Blender Station with Sink

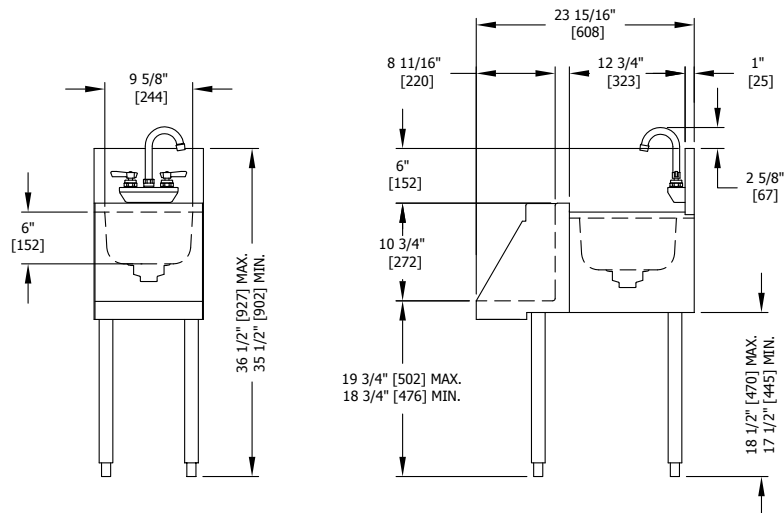


Job \_\_\_\_\_  
 Area \_\_\_\_\_  
 Item No. \_\_\_\_\_  
 Model No. \_\_\_\_\_

<b>MODEL NOS.</b>	<b>TS(D)12BLW</b>
<b>LENGTH IN. (mm)</b>	12" (305)
<b>SHIP WT. lbs. (kg)</b>	45 (20)
<b>TOP &amp; SHELF</b>	Stainless steel. Shelf includes access hole for plug-in cord
<b>BACK &amp; BOTTOM</b>	Stainless steel
<b>BACKSPLASH</b>	Stainless steel 6" high (4" high optional) with 1" return at top, mechanically fastened and sealed with steel support brackets. <b>TSD Series:</b> Stainless steel rear deck.
<b>LEGS</b>	1-5/8" tubular, stainless steel with 1" adjustable thermoplastic foot.
<b>BOWL</b>	Stainless steel with sound deadening. All horizontal and vertical edges 1-3/4" radius with balled corners. Furnished with 1-1/2" stainless steel drain socket and duo-strainer. 10-5/8" x 9-5/8" x 6" deep.
<b>WATER FAUCET</b>	Chrome plated, hot and cold, goose-neck faucet. Heavy-duty all brass construction. <b>Must be ordered separately.</b> Lead free Faucet also available.
<b>PLUMBING</b>	Drain-connection- 1-1/2" NPS Male. Hot and cold water connection: <b>TS Series:</b> 3/8" O.D. copper supply tubes. <b>TSD Series:</b> 1/2" IPS shanks and nuts.
<b>ELECTRIC</b>	Duplex outlet included, but not installed.



*\*Faucet shown for clarity; must be ordered separately*



Form No. BL01  
 Rev. 09.19.2011



8300 West Good Hope Road • Milwaukee, WI 53223 • Phone 414.353.7060 • Fax 414.353.7069  
 Toll Free 800.558.5592 • E-Mail perlick@perlick.com • www.perlick.com

Perlick is committed to continuous improvement. Therefore, we reserve the right to change specifications without prior notice