



REMOTE BACK BAR REFRIGERATOR
1-, 2-, 3- AND 4-DOOR (STANDARD)



BBR96 shown



JOB	
AREA	
ITEM NO.	
MODEL NO.	

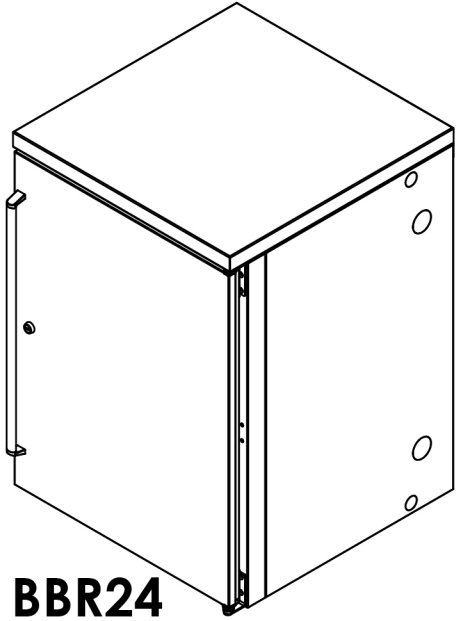
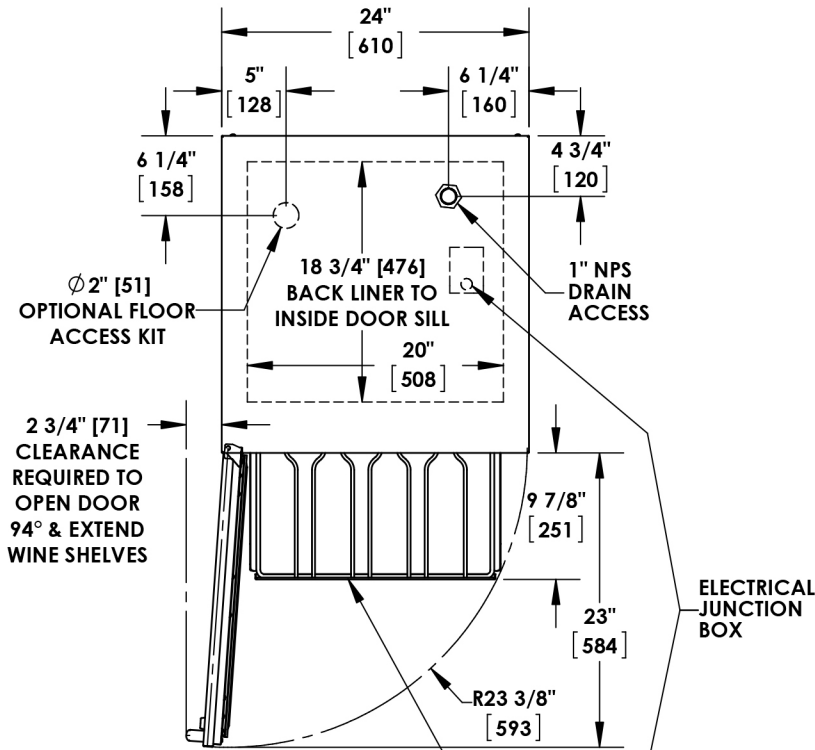
BBR24	1-Door Model
BBR48	2-Door Model
BBR72	3-Door Model
BBR96	4-Door Model

NSF/ANSI Standard 7 Listed for open food storage.
Note: Models furnished with wine temperature are listed for the storage and display of bottled and canned products only.

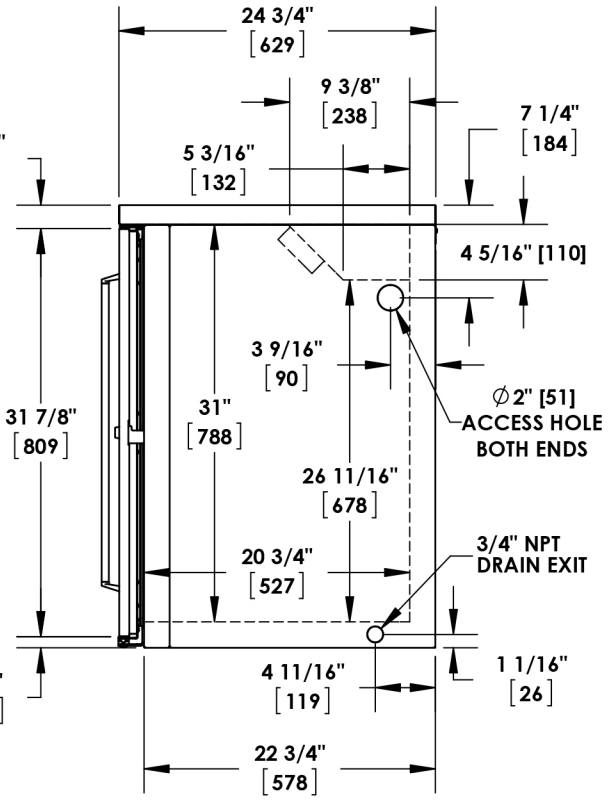
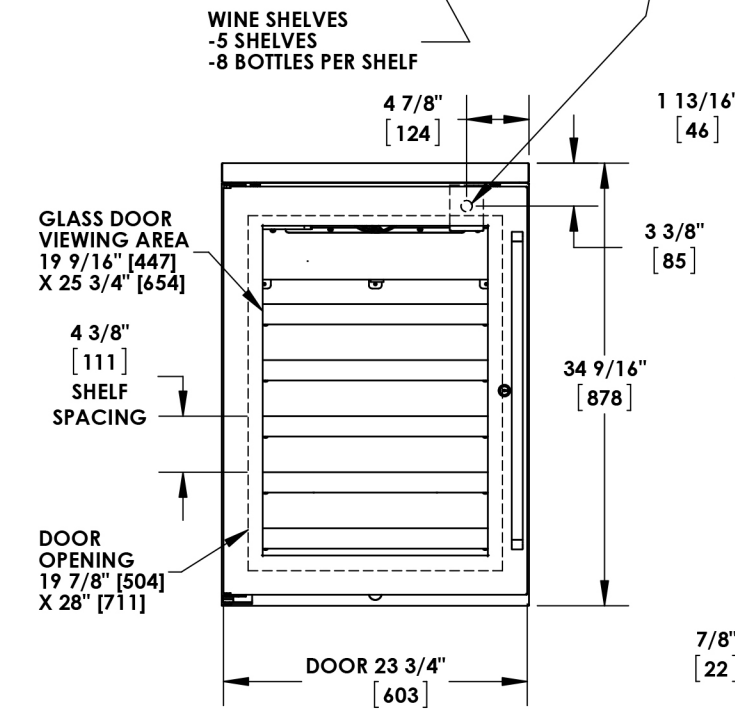
MODEL NUMBERS		BBR24	BBR48	BBR72	BBR96
NUMBER OF DOORS		1	2	3	4
EXTERIOR CABINET DIMENSIONS	Length - in. (mm)	24 (610)	48 (1219)	72 (1829)	96 (2438)
	Depth - in. (mm)	24¾ (629)	24¾ (629)	24¾ (629)	24¾ (629)
	Height - in. (mm)	34⅞ (878)	34⅞ (878)	34⅞ (878)	34⅞ (878)
INTERIOR CABINET DIMENSIONS	Length - in. (mm)	20 (508)	44 (1118)	68 (1727)	92 (2337)
	Depth - in. (mm)	18¾ (476)	18¾ (476)	18¾ (476)	18¾ (476)
	Height - in. (mm)	31 (788)	31 (788)	31 (788)	31 (788)
INTERNAL VOLUME Net. Cu. Ft. (Litres)		7.0 (198)	15.3 (433)	23.9 (677)	32.6 (923)
PRODUCT CAPACITY	CASE PACKED - 12 OZ. BOTTLE/CAN	146/249	321/513	523/819	725/1121
	STAGGERED - 12 OZ. BOTTLE/CAN	157/266	346/549	565/879	784/1205
SHIPPING WEIGHT Lbs. (kg.)		162 (73)	286 (130)	386 (175)	527 (239)
ELECTRICAL SPECIFICATIONS	Electrical Supply	120 VAC/60 Hz/1 Ph	120 VAC/60 Hz/1 Ph	120 VAC/60 Hz/1 Ph	120 VAC/60 Hz/1 Ph
	Running Load Amps	1.1	1.6	2	2.5
	Electrical Connection	Hard wired	Hard wired	Hard wired	Hard wired
	Defrost Initiation	Automatic	Automatic	Automatic	Automatic
	Defrost Type	Off cycle	Off cycle	Off cycle	Off cycle
	Lighting Type	LED	LED	LED	LED
REFRIGERATION SPECIFICATIONS	Evaporator Capacity - Remotes	900 Btu/Hr @ 20° F Evaporator	1900 Btu/Hr @ 20° F Evaporator	2300 Btu/Hr @ 20° F Evaporator	2300 Btu/Hr @ 20° F Evaporator
	Remote Refrigerant Options	R134a & R22 & R404a	R134a & R22 & R404a	R134a & R22 & R404a	R134a & R22 & R404a
PLUMBING	Evaporator Condensate	Field plumbed	Field plumbed	Field plumbed	Field plumbed

Perlick® **REMOTE BACK BAR REFRIGERATOR**
 1-, 2-, 3- AND 4-DOOR (STANDARD)

Note: Open floor drain not provided on models intended for non-packaged food.



BBR24



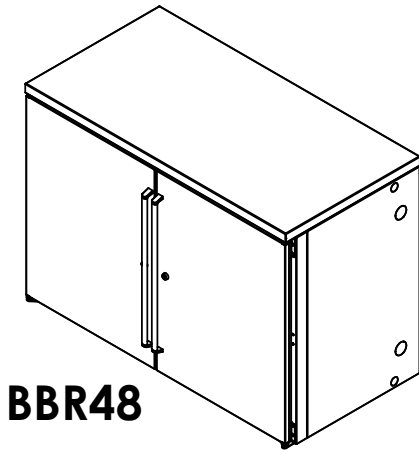
California Prop 65 Notice:

WARNING: The materials used in this product may contain chemicals known to the State of California to cause cancer and birth defects or other reproductive harm, For more information go to www.P65Warnings.ca.gov.

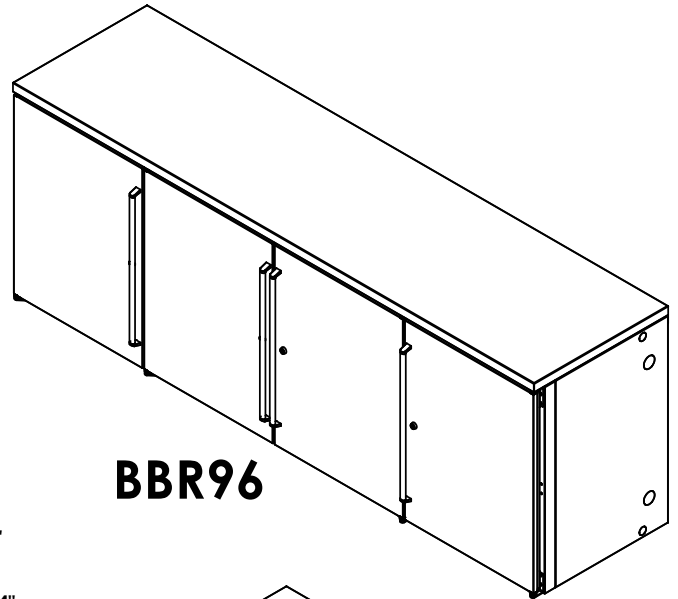
Form No. Z2367
 Rev. 08.29.2018

Perlick® **REMOTE BACK BAR REFRIGERATOR**
 1-, 2-, 3- AND 4-DOOR (STANDARD)

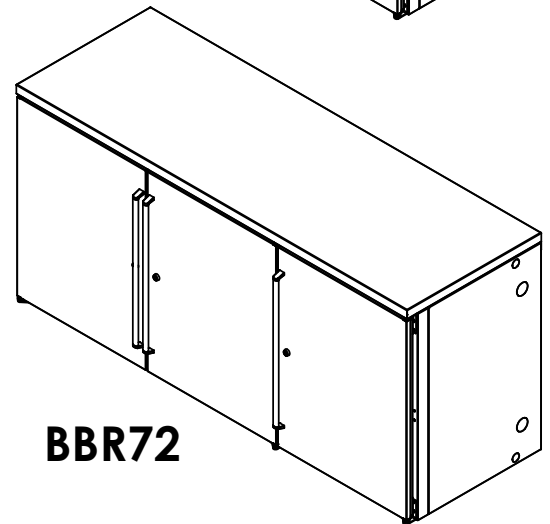
Note: Open floor drain not provided on models intended for non-packaged food.



BBR48



BBR96



BBR72

