



SELF-CONTAINED NARROW DOOR REFRIGERATOR

1-, 2-, 3- AND 4-DOOR



BBSN72 shown



NSF/ANSI Standard 7 Listed for open food storage.

Note: Models furnished with wine temperature are listed for the storage and display of bottled and canned products only.

JOB	
AREA	
ITEM NO.	
MODEL NO.	

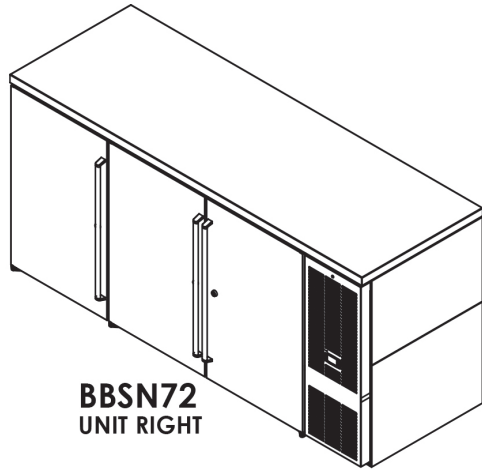
BBSN32	1-Door Model
BBSN52	2-Door Model
BBSN72	3-Door Model
BBSN92	4-Door Model

MODEL NUMBERS		BBSN32	BBSN52	BBSN72	BBSN92
NUMBER OF DOORS		1	2	3	4
EXTERIOR CABINET DIMENSIONS	Length - in. (mm)	32 (813)	52 (1321)	72 (1829)	92 (2337)
	Depth - in. (mm)	24¾ (629)	24¾ (629)	24¾ (629)	24¾ (629)
	Height - in. (mm)	34⅞ (878)	34⅞ (878)	34⅞ (878)	34⅞ (878)
INTERIOR CABINET DIMENSIONS	Length - in. (mm)	16⅞ (418)	36⅞ (926)	56⅞ (1434)	76⅞ (1942)
	Depth - in. (mm)	18¾ (476)	18¾ (476)	18¾ (476)	18¾ (476)
	Height - in. (mm)	31 (787)	31 (787)	31 (787)	31 (787)
INTERNAL VOLUME Net. Cu. Ft. (Litres)		6.0 (170)	13.3 (377)	20.6 (583)	27.8 (787)
PRODUCT CAPACITY	CASE PACKED - 12 OZ. BOTTLE/CAN	161/238	329/483	518/763	707/1043
	STAGGERED - 12 OZ. BOTTLE/CAN	173/255	354/517	565/819	765/1121
SHIPPING WEIGHT Lbs. (kg.)		248# (112kg)	344# (156kg)	446# (202kg)	577# (262kg)
ELECTRICAL SPECIFICATIONS	Electrical Supply	120 VAC/60 Hz/1 Ph	120 VAC/60 Hz/1 Ph	120 VAC/60 Hz/1 Ph	120 VAC/60 Hz/1 Ph
	Running Load Amps	3.2	5.5	6.3	6.3
	Electrical Connection	Cord connected	Cord connected	Cord connected	Cord connected
	Cord Plug Type	NEMA 5-15	NEMA 5-15	NEMA 5-15	NEMA 5-15
	Cord Length	8'	8'	8'	8'
	Defrost Initiation	Automatic	Automatic	Automatic	Automatic
	Defrost Type	Off cycle	Off cycle	Off cycle	Off cycle
	Thermostat	Digital control	Digital control	Digital control	Digital control
REFRIGERATION SPECIFICATIONS	Lighting Type	LED	LED	LED	LED
	Horsepower	1/5	1/4	1/3	1/3
	Refrigerant	R134a	R134a	R134a	R134a
	Refrigerant Charge oz.	6.5	7.0	7.0	7.0
	Factory Temperature Setting - Refrigerator F (C)	38° (3.3°)	38° (3.3°)	38° (3.3°)	38° (3.3°)
	Temperature Range - Refrigerator F (C)	33°-40° (0.5°-4.5°)	33°-40° (0.5°-4.5°)	33°-40° (0.5°-4.5°)	33°-40° (0.5°-4.5°)
	Factory Temperature Setting - White Wine F (C)	50°-55° (10.0°-13.0°)	50°-55° (10.0°-13.0°)	50°-55° (10.0°-13.0°)	50°-55° (10.0°-13.0°)
	Factory Temperature Setting - Red Wine F (C)	60°-65° (15.5°-18.0°)	60°-65° (15.5°-18.0°)	60°-65° (15.5°-18.0°)	60°-65° (15.5°-18.0°)
	Temperature Range - Wine F (C)	50°-65° (10.0°-18.0°)	50°-65° (10.0°-18.0°)	50°-65° (10.0°-18.0°)	50°-65° (10.0°-18.0°)
	Condensing Unit Location	Left or Right	Left or Right	Left or Right	Left or Right
	Expansion Device	Capillary tube	Capillary tube	Capillary tube	Capillary tube
Pull-Out Condensing Unit	Yes	Yes	Yes	Yes	
Front Vented	Yes	Yes	Yes	Yes	
PLUMBING	Evaporator Condensate	Automatically	Automatically	Automatically	Automatically

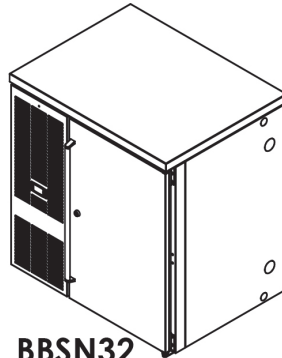
Form No. 95177
Rev. 08.30.2018

Perlick® SELF-CONTAINED NARROW DOOR REFRIGERATOR
1-, 2-, 3- AND 4-DOOR

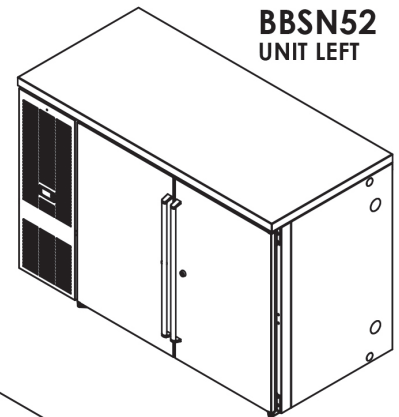
Note: Open floor drain not provided on models intended for non-packaged food.



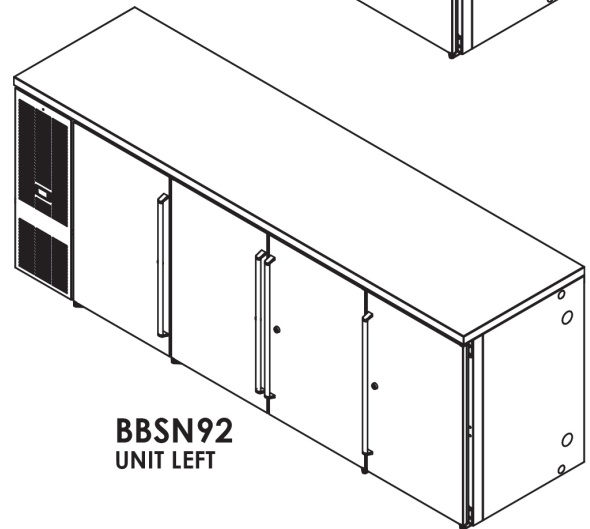
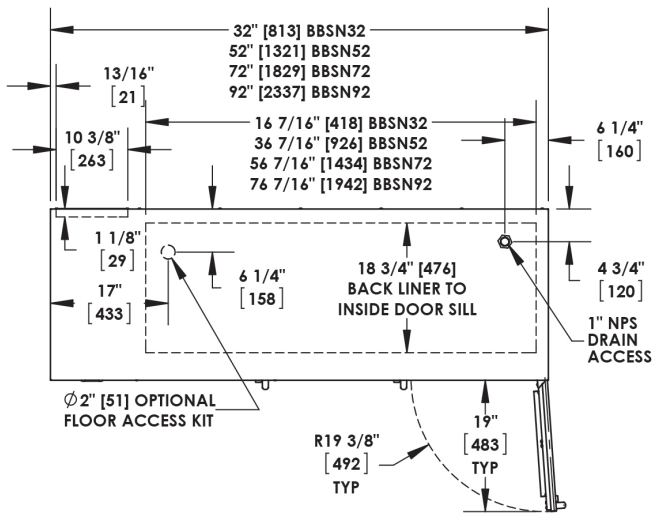
BBSN72
UNIT RIGHT



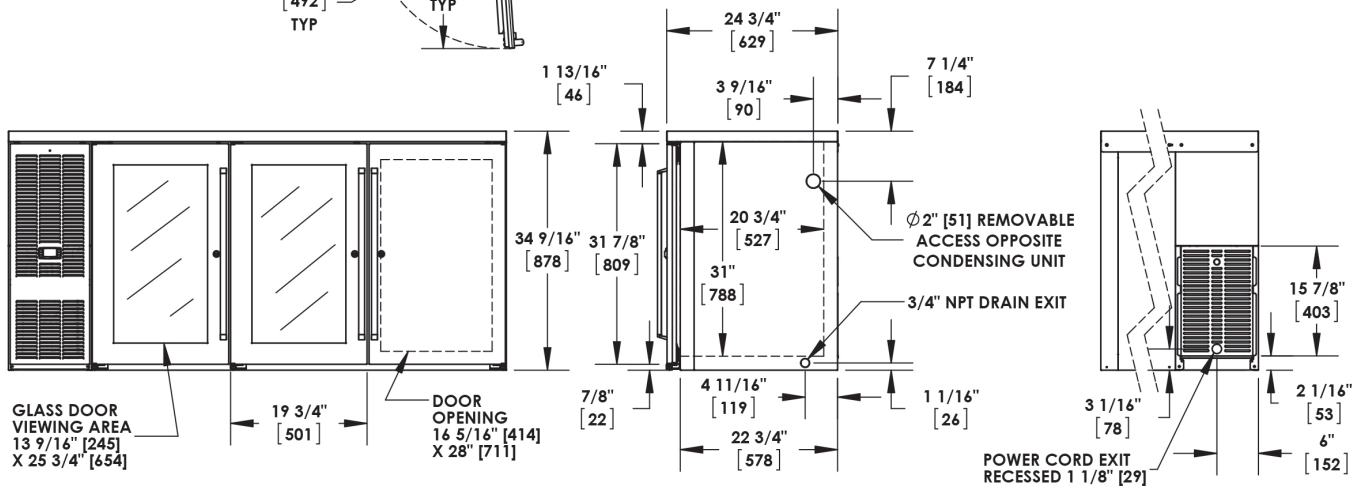
BBSN32
UNIT LEFT



BBSN52
UNIT LEFT



BBSN92
UNIT LEFT



California Prop 65 Notice:



WARNING: The materials used in this product may contain chemicals known to the State of California to cause cancer and birth defects or other reproductive harm, For more information go to www.P65Warnings.ca.gov.

Form No. 95177
Rev. 08.30.2018