



## 24" SINGLE DOOR C-SERIES

### REFRIGERATOR/CHILLER/WINE RESERVE



**Chiller**  
(HC24FS)



**Refrigerator**  
(HC24RS)



**Wine Reserve**  
(HC24WS)

JOB
AREA
ITEM NO.
MODEL NO.



MODEL NO.
HC24FS
HC24RS
HC24WS
HC24WS-B
HC24WS-C

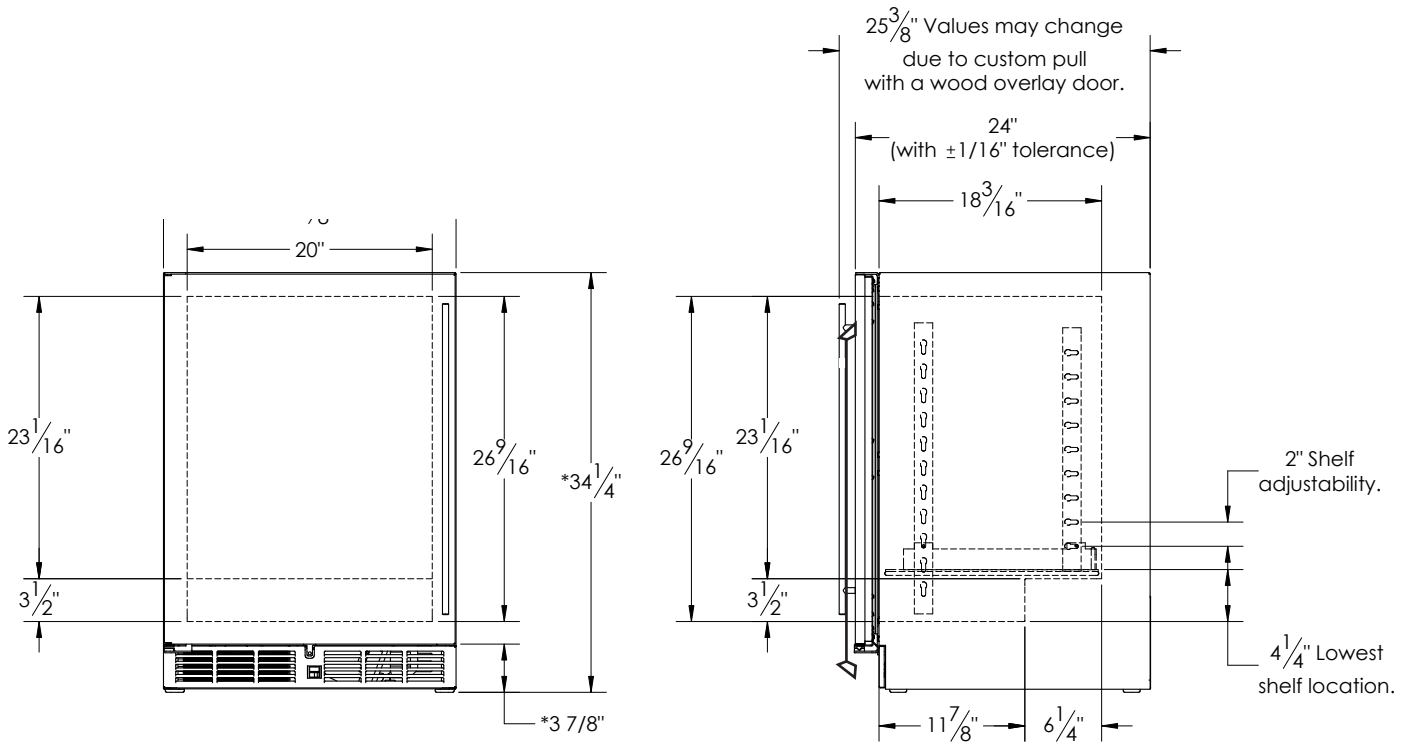
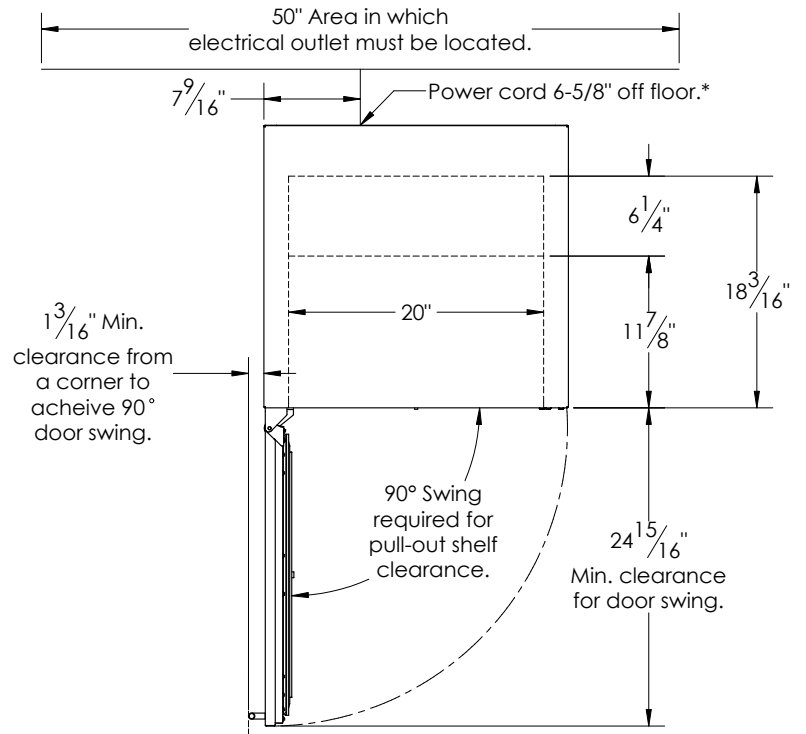
MODEL NO.	HC24RS	HC24FS	HC24WS	HC24WS-B	HC24WS-C
CABINET DIMENSIONS	Length Ins. (mm) 23-7/8" (606)	23-7/8" (606)	23-7/8" (606)	23-7/8" (606)	23-7/8" (606)
	Depth Ins. (mm) 24" (610)	24" (610)	24" (610)	24" (610)	24" (610)
	Height Ins. (mm) 34" (864)	34" (864)	34" (864)	34" (864)	34" (864)
SHIP WEIGHT LBS. (KG)	185 (83)	195 (88)	205 (92)	185 (83)	195 (88)
CAPACITY CU. FT. (L.) [PRODUCTION*]	5.3 (150) [5 cases]	5.3 (150) [86 glasses]	5.3 (150) [32 wine bottles]	5.3 (150)	5.3 (150)
SHELVING	2 black vinyl-coated full-extension shelf (adjustable)	2 black vinyl-coated full-extension shelf (adjustable)	5 black vinyl-coated full-extension wine shelves that hold 8 wine bottles each (750 ml.) (adjustable)	Two (2) black vinyl-coated full-extension shelf (adjustable) and Black Vinyl-Coated Floor Rack.	Two (2) black vinyl-coated full-extension wine shelves (adjustable) and black vinyl-coated floor rack. <i>Each wine shelf holds 8 (750 ml) wine bottles.</i>
TEMPERATURE SETTINGS F°(C)	<b>Range</b> 33°(.5°) - 42°(5.5) <b>Factory Set Point</b> 36°(2.2°)	-10°(-23.3) - 10°(-12.2) <b>Factory Set Point</b> 0°(-17.8°)	40°(4.4°) - 68°(20) <b>Factory Set Point</b> 45°(7.2°)	40°(4.4°) - 68°(20) <b>Factory Set Point</b> 55°(12.8°)	40°(4.4°) - 68°(20) <b>Factory Set Point</b> 55°(12.8°)
CABINET CONSTRUCTION (INT.)	Interior Stainless Steel				
CABINET CONSTRUCTION (EXT.)	Exterior Sides, Exterior Top and Grill Stainless Steel		Exterior Back and Exterior Bottom Galvanized		Door Exterior Customer Choice (see below under 'Customer Options')
CABINET INSULATION	Polyurethane-Ecomate. <b>Wall Thickness-2"</b> <b>Door, Drawer Thickness-2"</b> (solid stainless steel only)				
DOORS, HINGING & HARDWARE	<b>Number of Doors</b> 1 <b>Opening Style</b> Hinged (Left or Right) <b>Door Style</b> Solid or Glass <b>Door Swing Clearance</b> 25" (635) <b>Locks</b> Available (factory installed)				
CONDENSING UNIT	<b>H.P.</b> 1/6 <b>Condenser Access</b> Front				
REFRIGERATION	<b>Refrigerant</b> R134a <b>Expansion Device</b> Capillary Tube Type w/Hermetic Compressor <b>Defrost</b> Chiller equipped w/automatic 4-hour hot gas defrost cycle and manual 6-hour defrost with auto restart (HC24FS model only)				
PLUMBING	None required. Moisture drains to self evaporating condensate pan				
ELECTRICAL	<b>Electrical Supply</b> 115V/60 Hz/1 Phase <b>Running Load Amps</b> 2.3 <b>Cord Connection</b> Cord Connected (3-prong 6' NEMA 5-15P) <b>Thermostat</b> Electro-Mechanical <b>Lighting Type</b> Incandescent				
VENTILATION	Front-vented				
CUSTOMER OPTIONS	<b>Door Finishes</b> Black Vinyl Clad (B), Laminated (L), Field Laminated (F), Stainless (S), Laminated over Black (X), Laminated over Stainless Steel (U), Glass w/Black Frame (G), Glass w/Stainless Steel Frame (T), Glass w/Laminate (over black frame)(A), Glass w/Laminate (over stainless steel frame)(W) <b>Door Handle Options</b> 24" full length stainless steel, Classic 6" chrome w/black vinyl grip, tab handle (top mount, stainless steel) <i>NOTE: Glass option not available for freezer</i>				
ADDITIONAL ACCESSORIES	<b>Casters</b> 3.75" (Part No. 66736) <b>Legs</b> 4"-5" (Part No. 66734), 6"-7.25" (Part. No 66735)				

\*Product capacity based on 12 oz. long neck bottles (Refrigerator), 3" diameter glass size (Freezer) and 750 ml. wine bottles (Wine Reserve)

**NOTE:** This equipment is intended for the storage and display of non-potentially hazardous bottled or canned products only!



**24" SINGLE DOOR C-SERIES**  
REFRIGERATOR/CHILLER/WINE RESERVE



**California Prop 65 Notice:**



**WARNING:** The materials used in this product may contain chemicals known to the State of California to cause cancer and birth defects or other reproductive harm. For more information go to [www.P65Warnings.ca.gov](http://www.P65Warnings.ca.gov).

Form No. Z2365  
Rev. 08.30.2018