

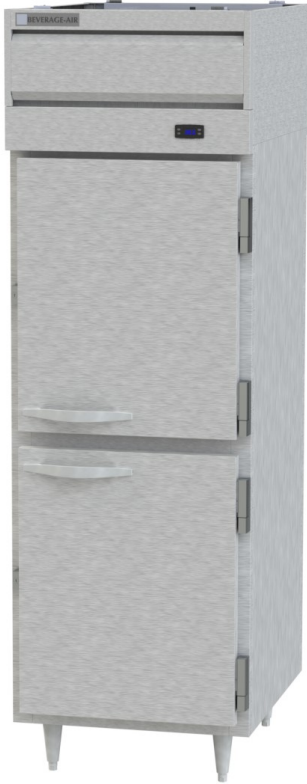


| | |
|-----------------|------|
| Project: _____ | AIA# |
| Item: _____ | |
| Location: _____ | SIS# |
| Approved: _____ | |

P-SERIES WARMING CABINET

MODEL:
PH1-1HS-PT

PH1 Half-Solid Door Pass-Thru Warming Cabinet



PH1-1HS-PT

3 Year Parts/Labor Warranty
Additional 2 Year Compressor Warranty

CABINET CONSTRUCTION

- Stainless steel exterior and interior
- Operational indicator panel contains thermometer and adjustable thermostat control which is accurately calibrated from 80°F to 180°F
- Manually controlled humidity vents are provided in the top of the cabinet
- Self closing doors with safety stops
- Heavy-duty cylinder lock and self-adjusting magnetic gasket
- Stainless steel breaker
- Cam-lift hinges
- Anti-microbial door handles
- Three (3) silver freeze shelves
- 6" Adjustable legs standard

OPTIONS & ACCESSORIES

- Pan slides
- 3" or 6" Casters

ELECTRICAL SYSTEM

- 15 AMP breaker required for single door units
- Strip type 750-watt heating elements, operating on 208-240/60/1, having a total of 1500 watts per compartment.
- Externally mounted blower system maintains even temperature through out the food zone area.

PH1 P-Series: Warming Cabinet



3779 Champion Blvd., Winston-Salem, NC 27105
 1-888-845-9800 Fax: 1-336-245-6453
 Beverage-Air.com sales@bevair.com

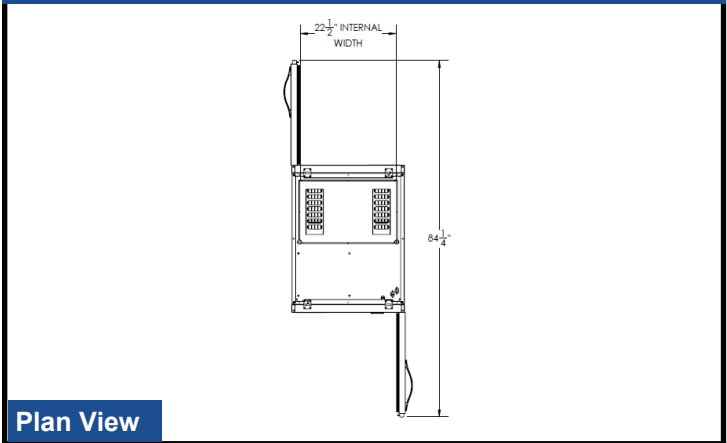


BEVERAGE-AIR

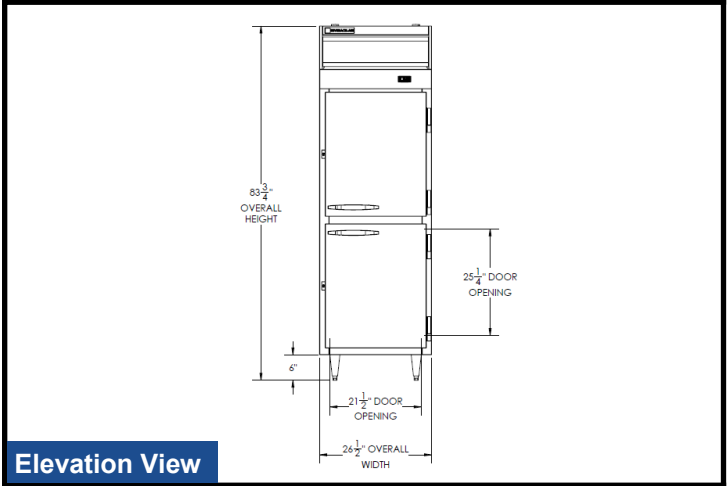
Warming Cabinet Model: PH1-1HS-PT

| MODEL | PH1-1HS-PT |
|-------------------------------------|-------------------|
| EXTERNAL DIMENSIONAL DATA | |
| Width Overall | 26 1/2" |
| Depth Overall with Handle | 38 3/8" |
| Height Overall | 83 3/4" |
| Number of Doors | 4 |
| Depth with Door Open 90° | 84 1/4" |
| Door Opening (in) | 21 1/2" x 25 1/4" |
| INTERNAL DIMENSIONAL DATA | |
| NET Capacity (cubic ft.) | 20.6 |
| Internal Width Overall (in) | 22 1/2" |
| Internal Depth Overall (in) | 26" |
| Internal Height Overall (in) | 56 1/2" |
| Number of Shelves | 3 |
| ELECTRICAL DATA | |
| Cabinet Voltage 208-240/60/1 | 208-240/60/1 |
| Max. Fuse Size T.D. | 15 AMPS |
| Feed Wires | 2 |
| Heater Watts per section (@240V) | 1500 |
| Total Wattage (Heaters & Fan @240V) | 1500 |
| Total AMPS | 6.3 |
| WEIGHT DATA | |
| Gross Weight (Crated lbs) | 320 lbs |
| Height - Crated | 87" |
| Width - Crated | 35" |
| Depth - Crated | 41" |

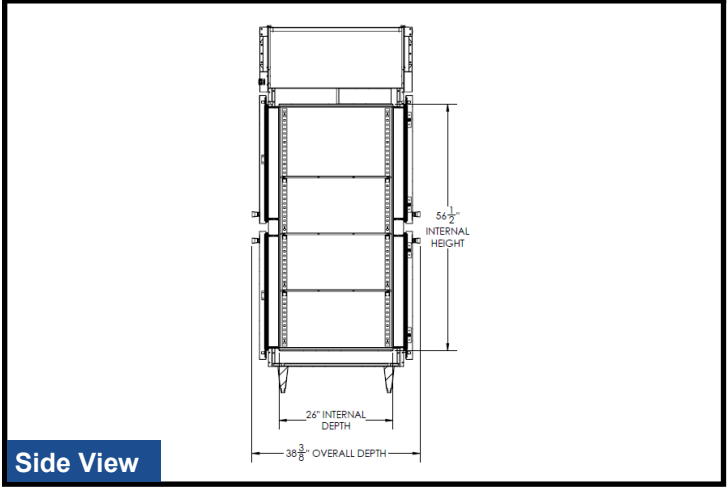
Model Views



Plan View



Elevation View



Side View

ELECTRICAL CONNECTION



208-240/60/1
NEMA 6-20A

Units pre-wired at factory and include 8' long cord and plug set.



an Ali Group Company



The Spirit of Excellence

3779 Champion Blvd., Winston-Salem, NC 27105
1-888-845-9800 Fax: 1-336-245-6453
Beverage-Air.com sales@bevair.com