

- **Space Saving "Z" Type Rack**
Nests When Empty for Storage
- **Horizontal "Z" Type Supports**
1½" x ¾" Heavy-Duty Tubing
Reinforced Gusset Corners
- **1" H x 1½" W Aluminum Slides**
Welded to Frame
- **Holds**
Standard 18" x 26" Sheet Pans
- **5" Swivel Stem Casters (CV)**
- **All Welded – Ready to Use**
Just Insert 5" Swivel Casters
- **Optional**
Locking Casters (CL)
Heavy-Duty Swivel Casters (CHV)
Heavy-Duty Locking Casters (CHL)
Pan Stop (PS)
Covers
End Load (VYRE-C)
Side Load (VYRS-C)



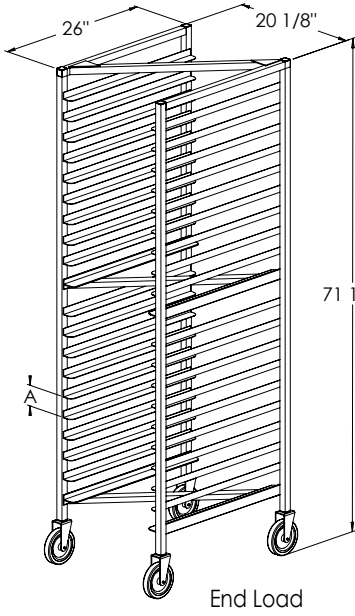
Overhead View

WE3018-Z

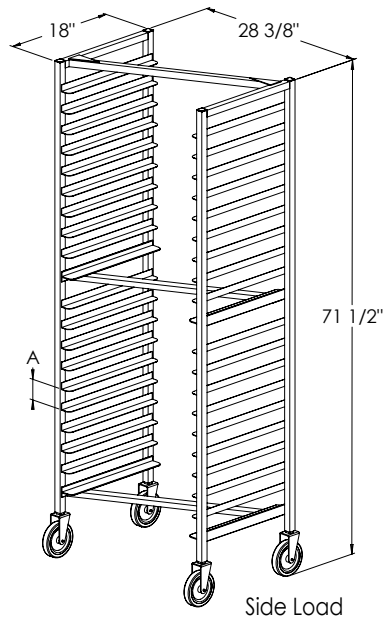


W-Series "Z" Type Nesting Pan Racks

Model Number	Description	"A" Shelf Spacing	Pan Capacity
WE2018-Z	End Load	2"	30
WE3018-Z	End Load	3"	20
WE4018-Z	End Load	4"	15
WE5018-Z	End Load	5"	12
WE6018-Z	End Load	6"	10
WS2026-Z	Side Load	2"	30
WS3026-Z	Side Load	3"	20
WS4026-Z	Side Load	4"	15
WS5026-Z	Side Load	5"	12
WS6026-Z	Side Load	6"	10



End Load



Side Load

Options: "CL", "CHV", "CHL", "PS" - see page 77 for details.
Optional Covers: see page 75 for specifications - call for quote.