

➤ **Insert Racks**

Fit Most Reach-In Boxes

➤ **1" H x 1½" W Aluminum Slides**

Welded to Frame

➤ **Holds**

Standard 18" x 26" Sheet Pans
Half Size 18" x 13" Sheet Pans

➤ **Half Size Design**

Insert Rack
Countertop Rack
Under-Counter Rack

➤ **All Aluminum – Will Not Rust**

➤ **"KD" Knock Down Rack**

Ships UPS in One Box
Full Size Assembles with
Twelve (12) Fasteners
Half Size Assembles with
Eight (8) Fasteners

➤ **"W" All Welded Rack**

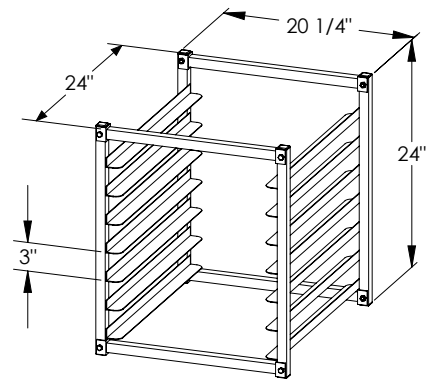
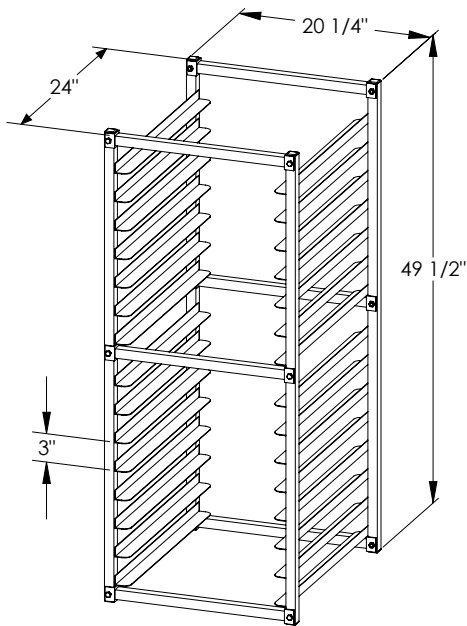
Reinforced Gusset Corners
Full Size Ships LTL
Half Size Ships LTL



WE3018-15KD-24D



WE3018-7KD-24D



Insert Pan Racks			
Model Number	Description	Pan Capacity	Shelf Spacing
WE3018-7W-24D	All Welded, Half Size, End Load	7	3"
WE3018-7KD-24D	Knock Down, Half Size, End Load	7	3"
WE3018-15W-24D	All Welded, Full Size, End Load	15	3"
WE3018-15KD-24D	Knock Down, Full Size, End Load	15	3"