

Aluminum Microwave Wall Mount Shelf

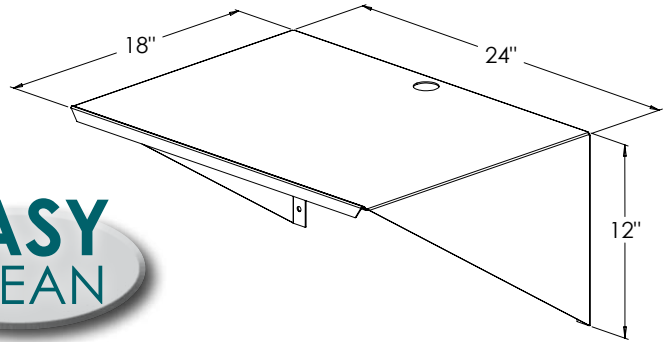
- ☑ One-Piece Aluminum; No Assembly
- ☑ 1½" Diameter Hole for Cord in Back
- ☑ ⅛" Marine Edge in Front



WM181224

Wall Mount Shelves

- ☑ Ships "Knock Down" Easy Assembly
- ☑ 1½" Backsplash
- ☑ Durable – Easy Clean Design
- ☑ All Welded Corners
- ☑ Weight Capacity is Determined by Wall Anchors (Mounting Hardware Not Provided)

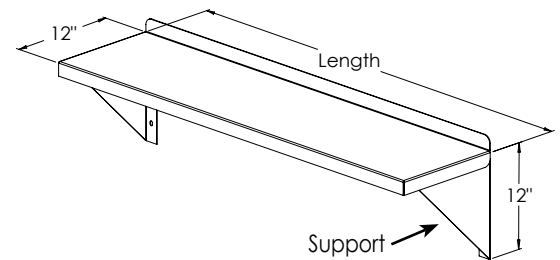


Stainless Steel Wall Mount Shelves

- ☑ 300 Series Stainless
- 16 Gauge Gusset Supports
- 18 Gauge Shelf Surface



WS1236SS



Aluminum Microwave Wall Mount Shelf

Model Number	Size D x L x H	Weight #
WM181224	18" x 24" x 12"	6

Wall Mount Shelves

Model Number	Description	Size D x L x H	Supports	Weight #
WS1224	Aluminum	12" x 24" x 12"	2	5
WS1236	Aluminum	12" x 36" x 12"	2	6
WS1248	Aluminum	12" x 48" x 12"	2	7.5
WS1260	Aluminum	12" x 60" x 12"	3	10
WS1272	Aluminum	12" x 72" x 12"	3	11
WS1224SS	Stainless Steel	12" x 24" x 12"	2	9
WS1236SS	Stainless Steel	12" x 36" x 12"	2	12
WS1248SS	Stainless Steel	12" x 48" x 12"	2	14
WS1260SS	Stainless Steel	12" x 60" x 12"	3	17
WS1272SS	Stainless Steel	12" x 72" x 12"	3	21
WS1284SS	Stainless Steel	12" x 84" x 12"	4	25
WS1296SS	Stainless Steel	12" x 96" x 12"	4	26

*To ensure proper strength, mount shelf to studs in the wall. Use appropriate wall anchors and screws when installing.