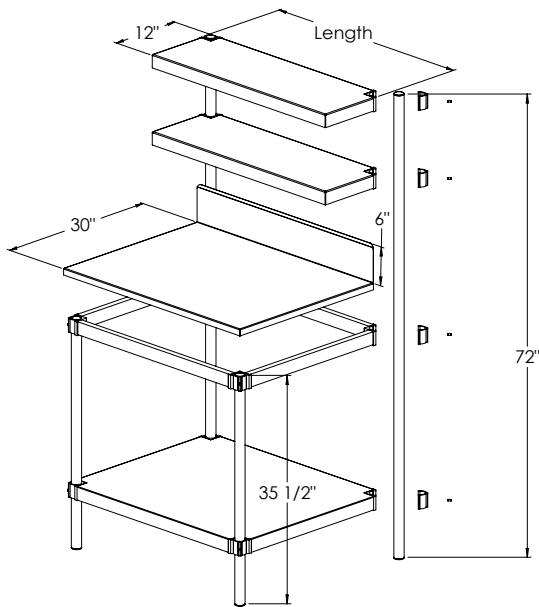
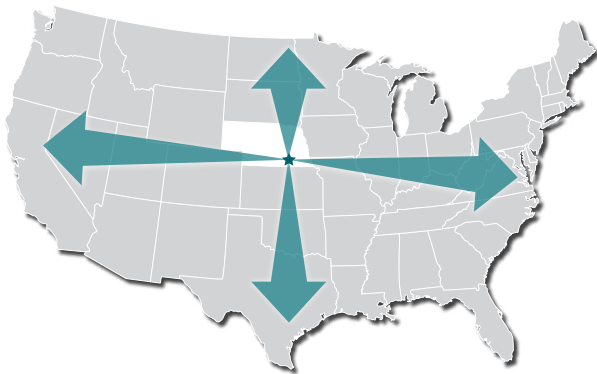


- **16 Gauge Stainless Steel Work Top**  
With 6" Backsplash  
Removable for Easy Cleaning
- **Heavy-Duty All Aluminum Frame, Posts, and Base Shelf – Will Not Rust**
- **Solid One-Piece Shelves**
- **Adjustable Cantilever and Base Shelves**
- **Easy “Lock Bushing” Assembly**
- **Ships “Knock Down”**



Shipping Across the U.S.A. from America's Heartland



Workstations		
Model Number	Description	Size W x H x L
W307236	Two (2), 12" W Cantilever Shelves	30" X 72" X 36"
W307248	Two (2), 12" W Cantilever Shelves	30" X 72" X 48"
W307260	Two (2), 12" W Cantilever Shelves	30" X 72" X 60"

Additional Cantilever Shelves		
Model Number	Size W x L x H	Weight #
CANT1236	12" x 36" x 2"	4
CANT1248	12" x 48" x 2"	6
CANT1260	12" x 60" x 2"	8
CANT1836	18" x 36" x 2"	6
CANT1848	18" x 48" x 2"	8
CANT1860	18" x 60" x 2"	10