

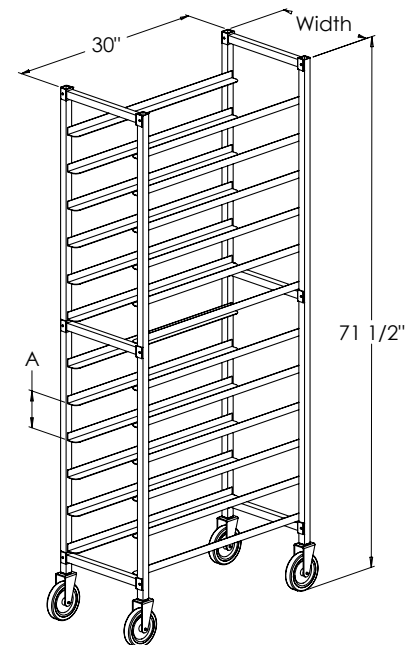
- ▣ **Store, Transport and Prep 30" Long Platter Trays**
- ▣ **1" H x 1½" W Aluminum Slides**
 Welded to Frame
- ▣ **Holds**
 Either 10" or 12" Wide Trays
- ▣ **5" Swivel Stem Casters (CV)**
- ▣ **All Aluminum – Will Not Rust**
- ▣ **"KD" Knock Down Rack**
 Ships LTL
 Assembles with 12 Fasteners
- ▣ **"W" All Welded Rack**
 Reinforced Gusset Corners
 Ships LTL
- ▣ **Optional**
 Locking Casters (CL)
 Heavy-Duty Swivel Casters (CHV)
 Heavy-Duty Locking Casters (CHL)
 Pan Stop (PS)



WE5012KD-PL

SShhhh

**QUIET RIDE
CASTERS**



Platter Racks				
Model Number	Description	Size W x H x D	"A" Shelf Spacing	Pan Capacity
WE5010KD-PL	Knock Down	13¼" x 71½" x 30"	5"	12
WE5010W-PL	Welded	13¼" x 71½" x 30"	5"	12
WE6010KD-PL	Knock Down	13¼" x 71½" x 30"	6"	10
WE6010W-PL	Welded	13¼" x 71½" x 30"	6"	10
WE5012KD-PL	Knock Down	15¼" x 71½" x 30"	5"	12
WE5012W-PL	Welded	15¼" x 71½" x 30"	5"	12
WE6012KD-PL	Knock Down	15¼" x 71½" x 30"	6"	10
WE6012W-PL	Welded	15¼" x 71½" x 30"	6"	10

Options: "CL", "CHV", "CHL", "PS" - see page 77 for details.