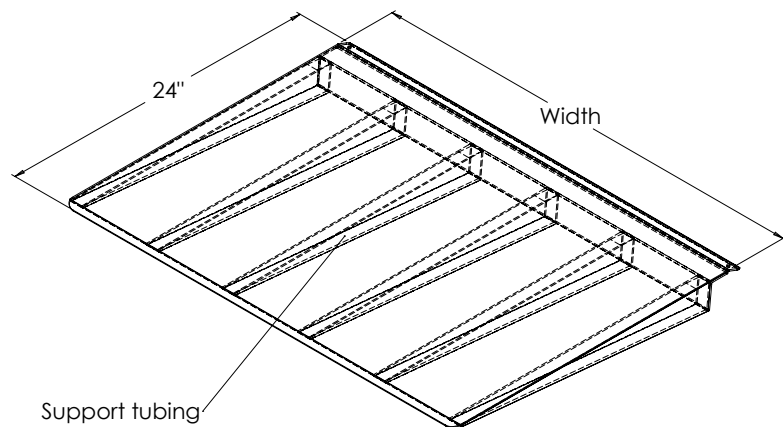


- **Ideal for Curbs, Coolers and Walk-Ins**
- **Reinforced Underside Tubing for Added Strength**
- **Lightweight, Durable Aluminum – Will Not Rust**
- **Anti-Slip, High Traction Surface**
- **600 lb. Capacity**  
300 lbs. Per Axle
- **Holes Punched in Top Corners Allow for Easy Installation**  
Hardware Provided



Threshold Ramps			
Model Number	Size L x W	Height	Weight
TH2432	24" x 32"	2" to 4"	12
TH2436	24" x 36"	2" to 4"	15