

➤ **Work-Saving Mobile Cart**

Use for Prepping, Transporting and Storage of All Types of Products

➤ **Heavy-Duty Frame**

900 lb. Load Capacity  
2" T-Bar Center Supports  
1" x 1" Tubing

➤ **Plate Casters**

Four (4) Heavy Duty 4" x 2" Swivel Plate Casters (CVPS-4)

➤ **All Welded Aluminum – Will Not Rust**

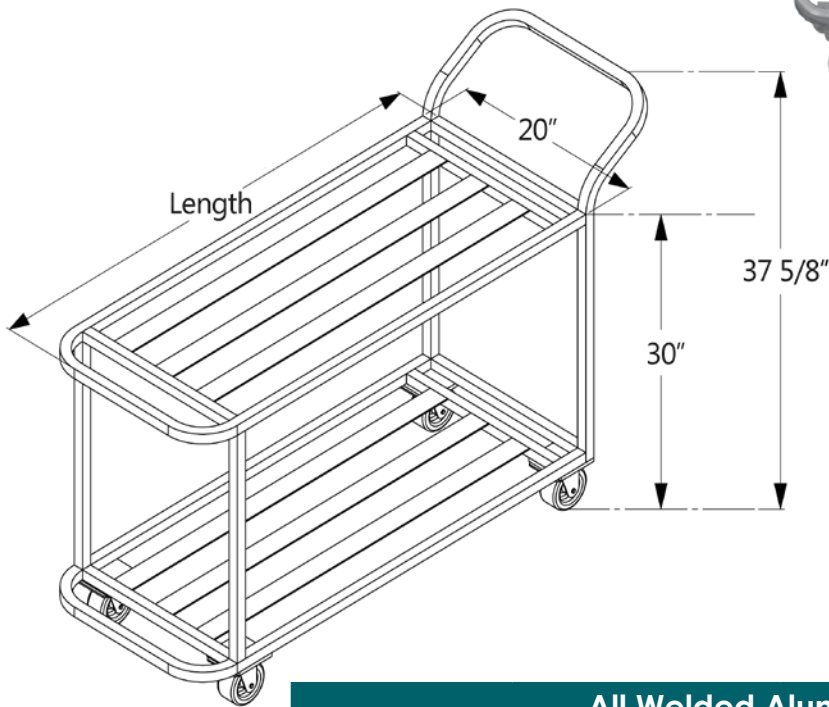
➤ **Ships LTL**

➤ **Optional**

Heavy-Duty 4" x 2" Locking Swivel Plate Casters (CLPS-4)  
Heavy Duty 4" x 2" Rigid Casters (CRPS-4)



WUC2024



All Welded Aluminum Utility Carts				
Model Number	O.D. Size W x H x L	O.D. Shelf Size W x L	Deck Height	Weight #
WUC2024	20" x 41" x 30"	20" x 24"	30"	25
WUC2036	20" x 41" x 42"	20" x 36"	30"	29
WUC2048	20" x 41" x 54"	20" x 48"	30"	33
WUC2060	20" x 41" x 66"	20" x 60"	30"	37

Options: "CLPS-4", "CRPS-4"- see page 77 for details.