



Job: \_\_\_\_\_

Item No. \_\_\_\_\_

## DESIGNED FOR MEDIUM VOLUME APPLICATIONS

10 Gallons per Hour – 20 Quart Capacity

### HIGH CAPACITY WITH 115 VOLT CONVENIENCE!

The **SaniServ** model 708 Frozen Beverage Freezer is an industry workhorse! The 708 provides a great way to offer many types of slush beverages! Choose from frozen margaritas and daiquiri's to frozen fruit flavor drinks, frozen lemonade and smoothies. The 708 also provides a way to serve a greater volume of all of your favorite frozen drinks without the need for an additional costly power supply!

### SPACE SAVING

**Small Footprint Design** - Save valuable floor space and turn the bar or countertop into a real profit center. By offering the finest quality of frozen drinks each time, every frozen beverage is consistent from the first to the last!

### EASY CLEANING AND OPERATION

**Fewer Parts = Simplified Cleaning** – **SaniServ** equipment is designed and built with the fewest parts to be disassembled, cleaned and sanitized than any other machine in the industry. The state of the art solid-state **AccuFreeze** control insures product consistency, worry-free operation and customer satisfaction.

### HIGH RETURN ON INVESTMENT

**Increased Profits** – **SaniServ** machines combine affordable efficiency with consistent product quality and fast, quiet operation to insure customer satisfaction with high profit frozen beverages.

### QUALITY DESIGN

**Durability** – **SaniServ** machines are built to achieve long and dependable life through simplicity of design. Every machine is shipped standard with a stainless steel exterior, durable steel interior frame construction, heavy-duty components and consistency systems.

# Model 708

Counter Model

**Frozen Beverage Machine  
With AccuFreeze Control**

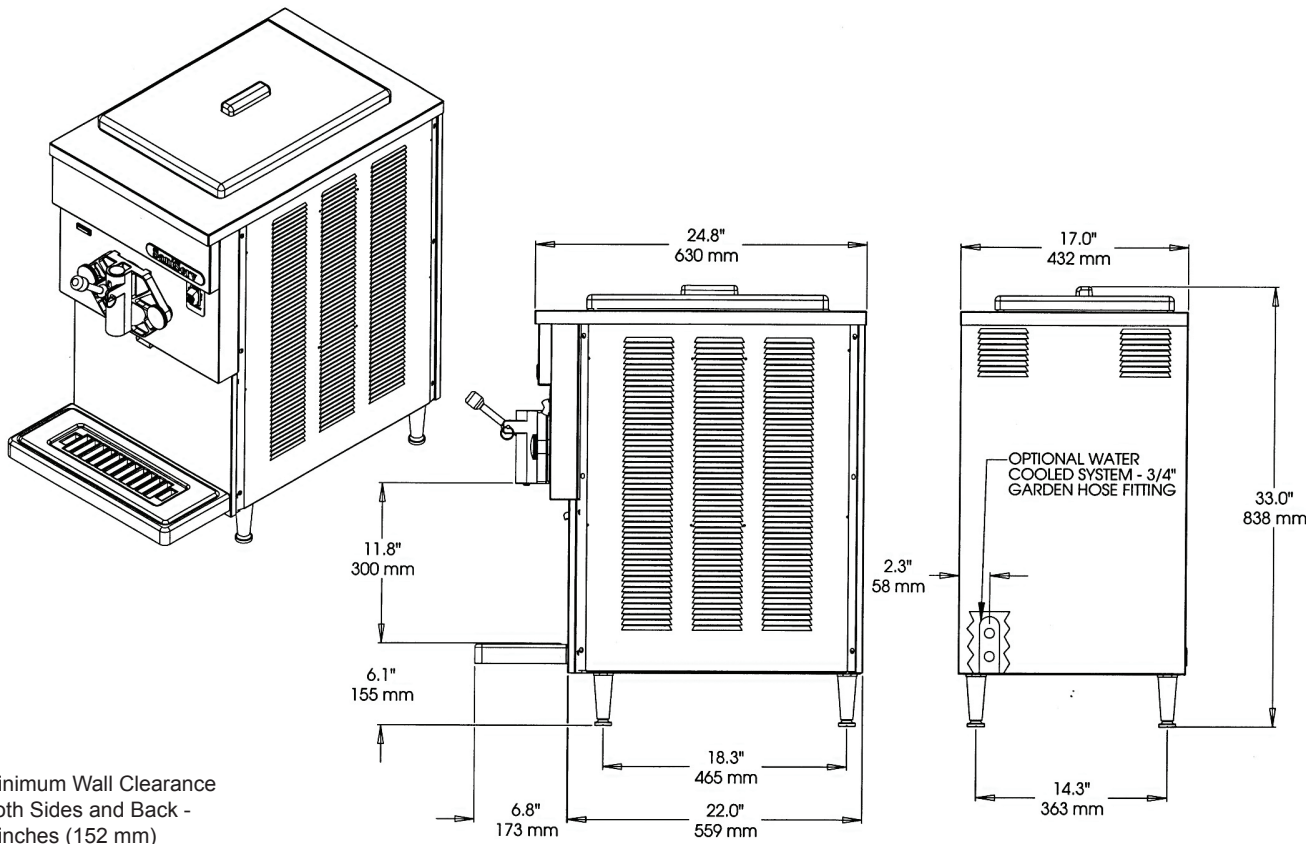


Made in USA

We reserve the right to change specifications and product designs without notice. Such revisions do not entitle the buyer to corresponding changes, improvements, additions or replacements for previously purchased equipment.

# MODEL 708

## Counter Model Frozen Beverage/Cocktail Freezer



Minimum Wall Clearance  
Both Sides and Back -  
6 inches (152 mm)

ELECTRICAL				WIDTH	HEIGHT	DEPTH	WEIGHT	VOLUME
VOLTS	Hz	Ph.	Amps	INCHES (MM)	INCHES (MM)	INCHES (MM)	LBS. (Kg)	CU FT. (cu. m.)
115	60	1	15	17 (432)	33 (838)	24.8 (630)	200 (72)	
Shipping Specifications				22.5 (572)	41 (1042)	34.5 (876)	265 (120)	18.5 (.53)

### Specifications:

#### Cooling System:

Air or Water

#### Dasher and Compressor Motors:

1/4 HP Dasher  
3/4 HP Compressor

#### Refrigerant Type:

R404A

#### Listings:

UL, NSF

### Features:

#### Evaporator and Mix Reservoir

#### Capacity:

20 Quarts (18.9 liters)

#### Dasher:

Heavy-Duty Stainless Steel with low friction scraper blades.

#### Controls:

**AccuFreeze** solid-state control for accurate product consistency.

#### Solid State Audio/Visual Mix Out System with Compressor Lockout

### Warranty:

Parts 1 year  
Compressor 5 years  
Evaporator 5 years

### Options:

Parts Tray  
Drink Spinner  
Syrup Rail  
Counter Top Mounting Pad Machine Stand  
Wash Out Kit – 3/8" Flare Fitting  
Water Cooled – 3/4" Garden Hose Fitting  
Export Voltages