

# 2372-6/36 Sauteuse Induction Buffet Server



Buffet Server, 36cm, Sauteuse, 18/10 Stainless Steel with gold or chrome accents. ***Inserts sold separately!*** Depending on the insert chosen, capacity ranges from 1-1/4 quart, 2-1/2 quart or 4 quart.

A wide variety of Inserts available. Inserts offered are stainless steel or porcelain.

Depending on your venue, the Sauteuse can be used with a conversion stand (sold separately). See Item #E372-6.

***Going Green?*** Ask about our Electric Heating Elements ~



[www.springusa.com](http://www.springusa.com)

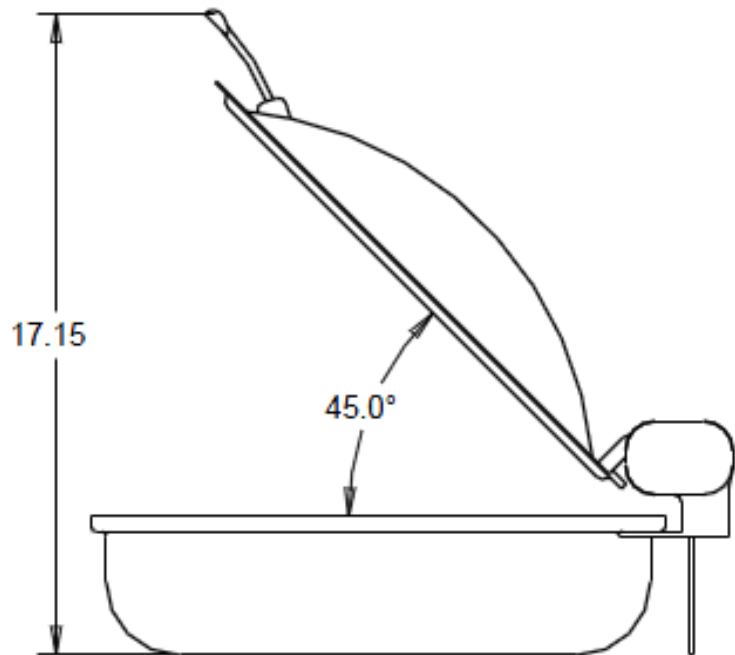
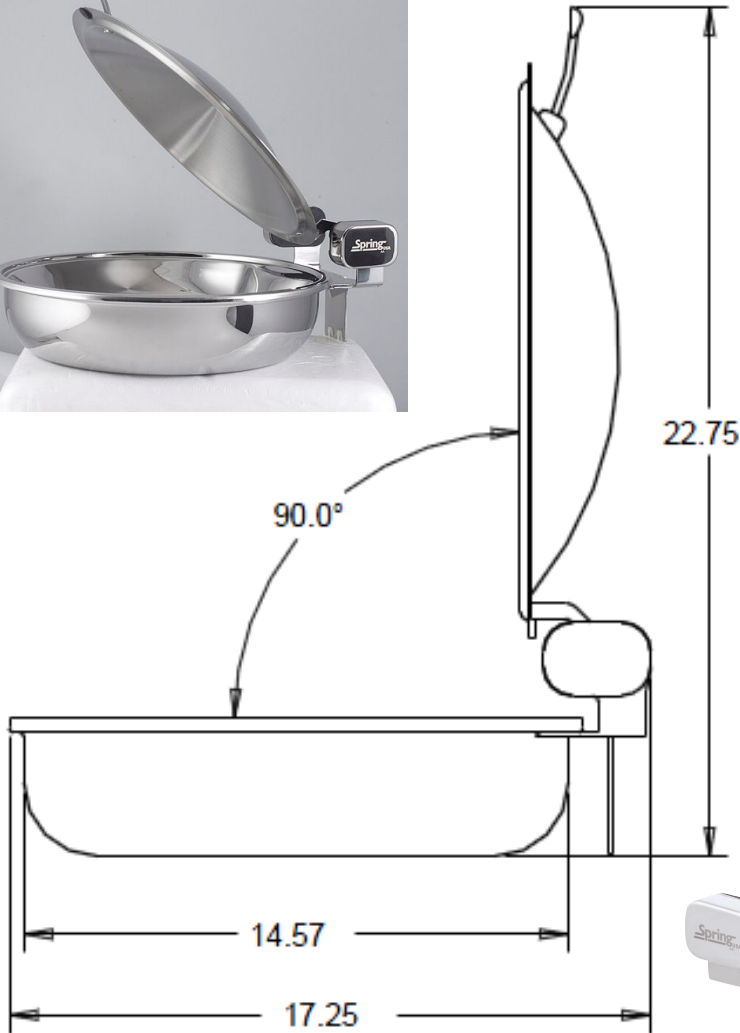
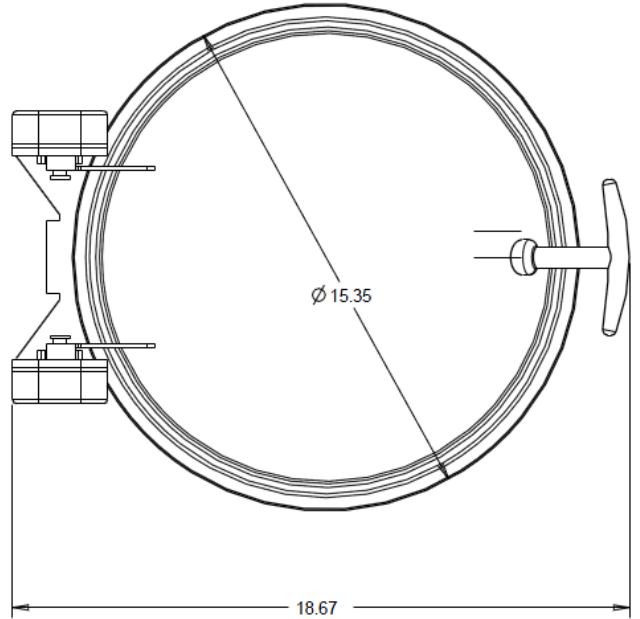
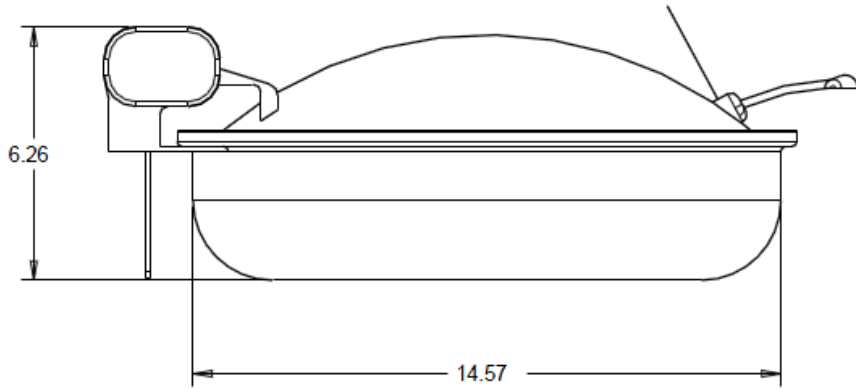
**Spring** USA<sup>®</sup>  
The Evolution of Intelligent Design<sup>®</sup>



(1) 630-527-8600

June 2013

# 2372-6/36 Sauteuse Induction Buffet Server



[www.springusa.com](http://www.springusa.com)

**Spring** USA<sup>®</sup>  
The Evolution of Intelligent Design<sup>®</sup>



(1) 630-527-8600

June 2013

# 2372-6/36 Sauteuse Induction Buffet Server

## Available Inserts



372-66/36, 4 Quart Capacity



372-66/36D, 4 Quart Capacity



9557-59/36/12, 2 Quart Capacity



372-66/36/12, 2 Quart Capacity



372-36/12D, 2 Quart Capacity



9552-59/36, 1-1/4 Quart Capacity



9554-59/36, 2-1/4 Quart Capacity



DA172-36/37

Dim Sum Warming Basket, Three-Piece Set

Set Includes Stainless Steel Adapter Ring, Bamboo Basket & Cover (For Use With 36" & 37" Round, Spring USA Convertible Buffet Servers)

Additional Baskets Item #DB172

[www.springusa.com](http://www.springusa.com)

372-37



Three Section Adapter Set, Stainless Steel Adapter Ring and Three Insert Pans (For Use With 36" & 37" Round Spring USA Convertible Buffet Servers)

**Spring** USA<sup>®</sup>  
The Evolution of Intelligent Design<sup>®</sup>

(1) 630-527-8600

June 2013