

# COLD FOOD HOLDERS

## CHILLED SERVERS/CREAM HOLDERS

Models CSM & ECH



CSM 94000 (NOT NSF LISTED)



ECH 94090 (NSF LISTED)



94013  
EUTECTIC ICE PACK



94057  
HOLDCOLD™ JARS

### BID DESCRIPTION

Chilled Servers and Cream Holders are constructed of a stainless steel exterior and one-piece seamless plastic interior. Their compact design takes up only 8" (20.3 cm) of counter space.

The Chilled Server is available in (2) varieties; with a stainless steel jar and (2) round Eutectic Ice Packs or with (1) black and (1) white HoldCold™ jar. HoldCold™ jars will maintain serving temperature up to (12) hours, when used properly.

The countertop Chilled Server (CSM) features a stainless steel pump with a cast valve body and welded construction. Maximum stroke yields 1 ounce (30 mL). Supplied gauging collars reduce the yield in 1/8 ounce (3.7 mL) increments.

The Cream Holder (ECH) accepts a hose directly from an espresso machine into a hole in the lid and comes complete with stainless steel jar and (2) round Eutectic Ice Packs.

### STANDARD FEATURES

- Stainless steel exterior and seamless plastic interior
- Includes a Stainless Steel Jar and (2) Eutectic Ice packs or (1) black and (1) white HoldCold™ jar for extended cooling time
- 1 oz (30 mL) maximum portion, now adjustable in 1/8 ounce (3.7 mL) increments — allows for Portion Optimization™
- Cream Holder conveniently works with your espresso machine

### ACCESSORY ITEMS

- 3 quart (2.8 L) Stainless Steel Jar 94009
- Eutectic Ice Pack, Round 94013
- Kit, Round HOLDCOLD™ Jars, (1) white & (1) black 94057

### TWO YEAR WARRANTY

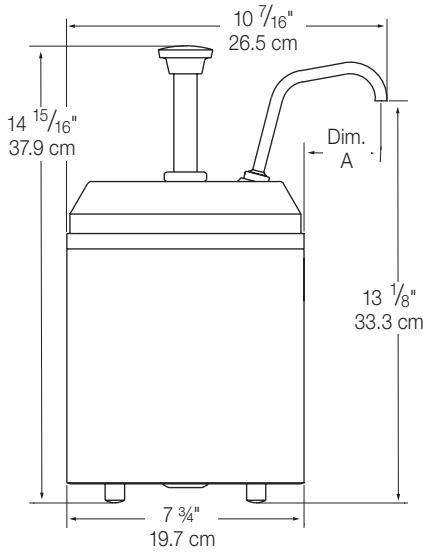
Server Products equipment is backed by a two-year limited warranty against defects in materials and workmanship. For a copy of our complete warranty statement, please refer to [server-products.com](http://server-products.com).



# COLD FOOD HOLDERS CHILLED SERVERS/CREAM HOLDERS

Models CSM & ECH

## CHILLED SERVERS (CSM) (Not NSF Listed)



| MODELS     | CSM<br>94000         | ECH<br>94090     | CSM<br>94113         |
|------------|----------------------|------------------|----------------------|
| Capacity   | 3 qts<br>(2.8 L)     | 3 qts<br>(2.8 L) | 2¾ qts<br>(2.6 L)    |
| Height     | 14 15/16"<br>37.9 cm | 10½"<br>26.7 cm  | 14 15/16"<br>37.9 cm |
| Width      | 7¾"<br>19.7 cm       | 7¾"<br>19.7 cm   | 7¾"<br>19.7 cm       |
| Depth      | 10 7/16"<br>26.5 cm  | 7¾"<br>19.7 cm   | 10 7/16"<br>26.5 cm  |
| Dim. A     | 2½"<br>6.4 cm        | N/A              | 2½"<br>6.4 cm        |
| Weight     | 9 lb<br>4.1 kg       | 8 lb<br>3.6 kg   | 14 lb<br>6.4 kg      |
| NSF Listed | No                   | Yes              | No                   |

FOB RICHFIELD, WISCONSIN 53076

## CREAM HOLDER (ECH) (NSF Listed)

