

COLD FOOD HOLDERS INSULATED BAR, LADLE COMBOS

Models SB-2, SB-2 DI, SB-3, SB-3 DI, SB-4 & SB-4 DI



SB-2 DI 79990



SB-3 DI 80520



SB-4 80540

BID DESCRIPTION

Insulated serving bars are constructed of a stainless steel exterior with a one-piece seamless plastic interior. Serving Bars can be cooled with ice, (1) Eutectic Ice Pack (94141) per jar or use our deep fountain HOLDCOLD™ jars (not included).

Combination models come complete with multiples of: shallow plastic fountain jars (82558), hinged lids (82545) and 1 ounce (30 mL) ladles (82562). Choose from countertop or drop-in models.

STANDARD FEATURES

- Stainless steel exterior, seamless plastic interior and insulation
- Stainless steel hinged lid attaches to lid in a snap
- Ladle slot in fountain jar allows lid to close completely
- Colored, engraved knobs are available upon request (contact customer service for options)

BAR COMBOS WITH LADLES

<u>Includes</u>	<u>Countertop</u>	<u>Drop-In</u>
(2) jars	SB-2 79930	SB-2 DI 79990
(3) jars	SB-3 80510	SB-3 DI 80520
(4) jars	SB-4 80540	SB-4 DI 80530

ACCESSORY ITEMS

- Fountain Jar, Plastic, 7 ½" (19 cm) 82558
- Fountain Jar, Plastic, 10" (25.4 cm) 82557
- Ladle, 7" (17.8 cm) Handle 82562
- Ladle, 10" (25.4 cm) Handle 82561

TWO YEAR WARRANTY

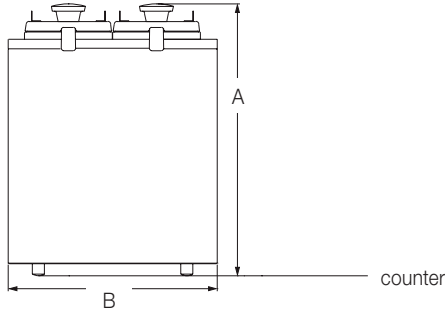
Server Products equipment is backed by a two-year limited warranty against defects in materials and workmanship. For a copy of our complete warranty statement, please refer to server-products.com.



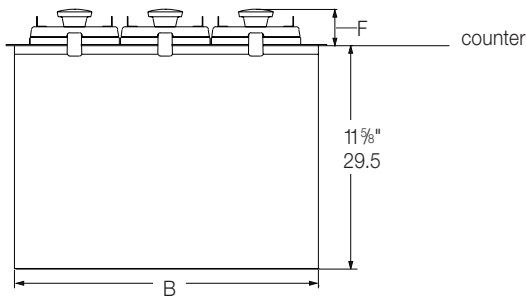
COLD FOOD HOLDERS INSULATED BAR, LADLE COMBOS

Models SB-2, SB-2 DI, SB-3, SB-3 DI, SB-4 & SB-4 DI

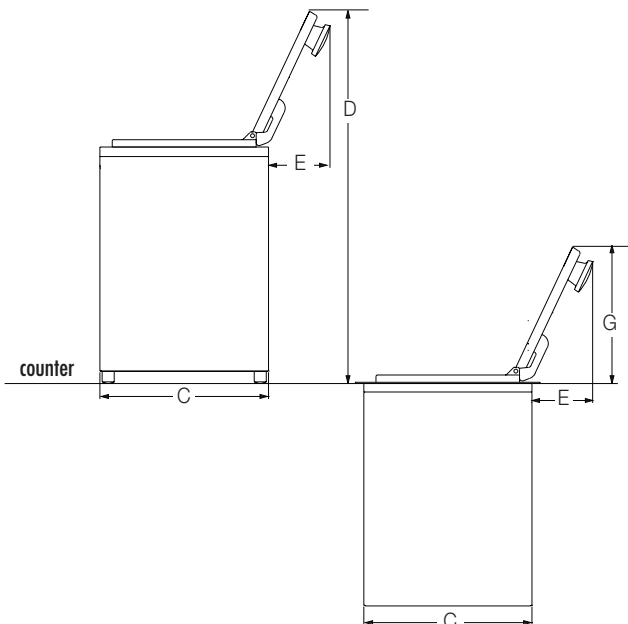
SERVING BAR - COUNTERTOP



SERVING BAR - DROP-IN



SERVING BAR - COUNTERTOP & DROP-IN



Jar Capacity	Shallow 2 qt 1.9 L	Deep 3½ qt 3.3 L	HOLDCOLD™ 2¼ qt 2.1 L
COUNTERTOP	(2) JAR	(3) JAR	(4) JAR
A-Height	14 1/8" 35.9 cm	14 1/8" 35.9 cm	14 1/8" 35.9 cm
D-Open <small>(Height)</small>	19 3/8" 49.2 cm	19 3/8" 49.2 cm	19 3/8" 49.2 cm
E-Lid <small>(Depth)</small>	3 3/16" 8.1 cm	3 3/16" 8.1 cm	3 3/16" 8.1 cm
DROP-IN	(2) JAR	(3) JAR	(4) JAR
F-Height	1 7/8" 4.8 cm	1 7/8" 4.8 cm	1 7/8" 4.8 cm
G-Open <small>(Height)</small>	7 1/8" 18.1 cm	7 1/8" 18.1 cm	7 1/8" 18.1 cm
E-Lid <small>(Depth)</small>	3 3/16" 8.1 cm	3 3/16" 8.1 cm	3 3/16" 8.1 cm
Cutout Size:			
SB-2 DI	11" x 8 7/8" (27.9 cm x 22.5 cm)		
SB-3 DI	15 5/8" x 8 7/8" (39.7 cm x 22.5 cm)		
SB-4 DI	20 1/4" x 8 7/8" (51.4 cm x 22.5 cm)		
BOTH STYLES	(2) JAR	(3) JAR	(4) JAR
B-Width	10 7/8" 27.6 cm	15 1/2" 39.4 cm	20 1/8" 51.1 cm
C-Depth	8 13/16" 22.4 cm	8 13/16" 22.4 cm	8 13/16" 22.4 cm

FOB RICHFIELD, WISCONSIN 53076

CAD LIBRARY

Individual CAD images can be downloaded free of charge from our website. Our complete collection of CAD files, along with more than 100 other manufacturers, can be purchased through Kochman Consultants, Ltd. at kclcad.com.