

# COLD FOOD HOLDERS INSULATED RELISH SERVERS

Models IRS-1, IRS-2, IRS-2DI, IRS-3 & IRS-3DI



**IRS-1 LEMON SERVER 67850**  
ALSO AVAILABLE WITHOUT DECAL, TONGS AND  
(2) EUTECTIC ICE PACKS - 67860



**IRS-2DI 67780 (DROP-IN)**



**IRS-3 67080**

## BID DESCRIPTION

Insulated relish servers are constructed of stainless steel with a brushed (#4) finish. Acrylic hinged lid has stay-open and self-close design to cover and protect the contents. IRS models are insulated and accept ice or Eutectic Ice Packs (94013), to keep contents cool. The IRS-3 and IRS-3DI accept (3) 1/6-size pans, up to 6" (150 mm) deep and (3) Eutectic Ice Packs. IRS-2 and IRS-2DI accept (2) 1/6-size pans and (2) Eutectic Ice Packs. Pans and Eutectic Ice Packs are not included.

The single pan model IRS-1 holds a 1/6-size pan, up to 6" (150 mm) deep. The insulated shroud can be chilled with a Eutectic Ice Pack (94013) or ice, to keep your items cool. A side-mounted hook helps keep 6½" (16.5 cm) tongs handy and sanitary. Pan, Eutectic Ice Pack and tongs are not included with the standard IRS-1 67860. The IRS-1 Lemon Server 67850 comes complete with decal, pan, (2) Eutectic Ice Packs and 6½" (16.5 cm) tongs.

## STANDARD FEATURES

- Durable, stainless steel construction with a brushed finish
- Clear lids cover and protect product while showing it off
- Chill with ice or Eutectic Ice Pack 94013 (not incl.)
- Lids have versatile stay-open & self-close design

## ACCESSORY ITEMS

Pans, up to 6" (150 mm) deep, can be mixed and matched. Both IRS-3 models accept (3) 1/6-size or (1) 1/6-size & (3) 1/9-size pans. Both IRS-2 models accept (2) 1/6-size or (3) 1/9-size pans. IRS-1 accepts (1) 1/6-size pan.

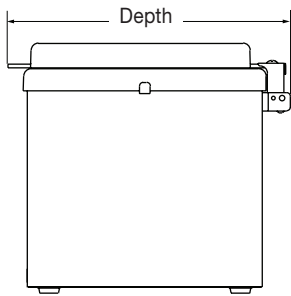
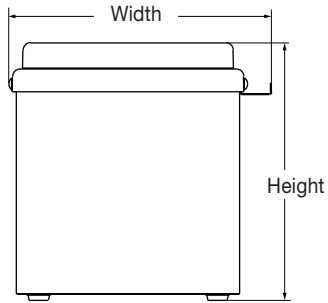
- 1/6-size, 6" (150 mm) deep pan 90089
- 1/6-size, 4" (100 mm) deep pan 90088
- 1/9-size, 4" (100 mm) deep pan 90106
- Eutectic Ice Pack, Round 94013
- Serving Tongs, 6½" (16.5 cm) 67859



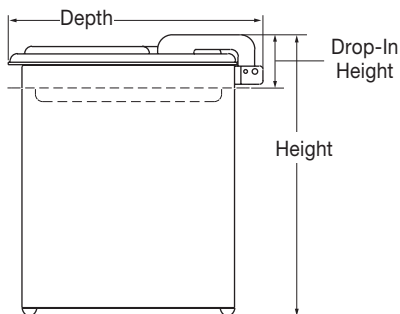
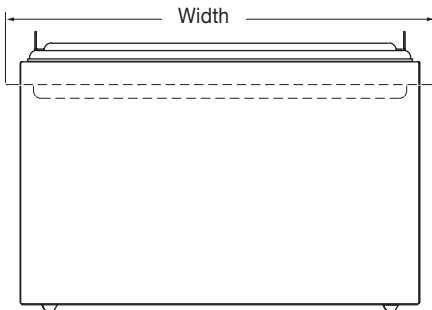
# COLD FOOD HOLDERS INSULATED RELISH SERVERS

Models IRS-1, IRS-2, IRS-2DI, IRS-3 & IRS-3DI

## INSULATED RELISH SERVER IRS-1 67860 & IRS-1 LEMON SERVER 67850



## COUNTERTOP & DROP-IN 2 & 3 PAN



MODELS	IRS-1 67860 / 67850	IRS-2 67770	IRS-2DI 67780	IRS-3 67080	IRS-3DI 67160
Height	8 5/8" 21.9 cm	9 9/16" 24.3 cm	1 7/8" 4.8 cm	9 9/16" 24.3 cm	1 7/8" 4.8 cm
Height (Lid Open)	15 7/8" 40.3 cm	16 3/8" 41.6 cm	8 5/8" 21.9 cm	16 3/8" 41.6 cm	8 5/8" 21.9 cm
Width	8 3/16" 22.4 cm	13 5/8" 34.6 cm	14 5/8" 37.1 cm	20" 50.8 cm	21" 53.3 cm
Depth	9 3/4" 24.8 cm	8 11/16" 22.1 cm	8 11/16" 22.1 cm	8 11/16" 22.1 cm	8 11/16" 22.1 cm
Weight	5 lb / 7 lb 2.7 kg / 3.2 kg	10 lb 4.5 kg	10 lb 4.5 kg	12 lb 5.4 kg	12 lb 5.4 kg
	Cutout Size:				
IRS-2DI	13 3/4" x 7 3/8" (35 cm x 18.7 cm)				
IRS-3DI	20 1/8" x 7 3/8" (51.1 cm x 18.7 cm)				

FOB RICHFIELD, WISCONSIN 53076

## TWO YEAR WARRANTY

Server Products equipment is backed by a two-year limited warranty against defects in materials and workmanship. For a copy of our complete warranty statement, please refer to [server-products.com](http://server-products.com).

## CAD LIBRARY

Individual CAD images can be downloaded free of charge from our website. Our complete collection of CAD files, along with more than 100 other manufacturers, can be purchased through Kochman Consultants, Ltd. at [kclcad.com](http://kclcad.com).